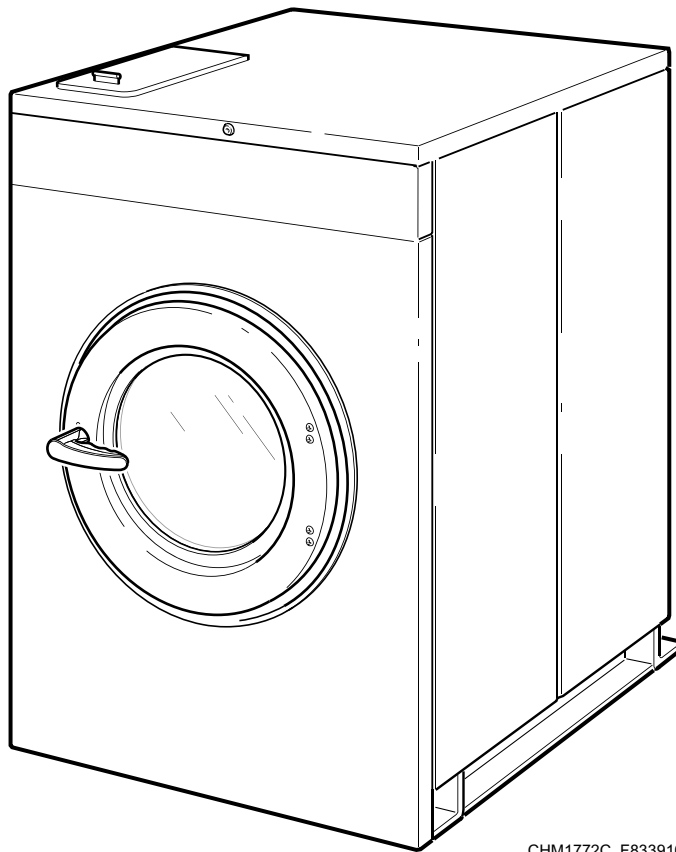


Washer-Extractor

Cabinet Hardmount
80 Pound Models

Refer to Page 3 for Model Numbers



CHM1772C_F8339101

Table of Contents

Title	Page
Parts Ordering Information.....	2
Nameplate Location.....	2
Model Identification.....	3
Product Overview for M4, M30, Galaxy 400, Galaxy 600, Quantum Standard and Quantum Silver.....	4
Product Overview for M9, Galaxy 200 and Quantum Gold.....	6
Decals.....	8
Control Module - Coin Models.....	10
Control Module - OPL Models.....	12
Network Controls - WC, WD, WE and WY Models.....	14
Control Panel Overlays, Rocker Switch, Temperature Knob and Emergency Stop Button - GN, HN and KN Models.....	16
Flush Mount Coin Meter Assembly - Coin Models (Drawing 1 of 2).....	18
Flush Mount Coin Meter Assembly - Coin Models (Drawing 2 of 2).....	20
Electronic Coin Meter Assembly - Coin Models.....	22
Card Reader - GY, HY, JY, KY, LY and WY Models.....	24
Optional Coin Box.....	26
Front Panels and Control Panels - All Coin Models Except GC, GD, GE, GL, GX and GY Models.....	28
Front Panels and Control Panels - All OPL and Prep for Card Reader Models Except GN and GY Models.....	30
Front Panels and Control Panels - GC, GD, GE, GL and GX Models.....	32
Front Panels and Control Panels - GN and GY Models.....	34
Control Panel Overlays - Coin Models.....	36
Cover Panels and Frame.....	38
Door.....	40
Door Lock.....	42
Fill Plumbing and External Supply (Drawing 1 of 2).....	44
Fill Plumbing and External Supply (Drawing 2 of 2).....	46
Filter (Optional) and Water Supply Hose.....	48
Basket and Shell.....	50
Drain.....	52
Motor, Pulley, Belts and Bearings.....	54
Electric Heat Option.....	56
Steam Heat Option.....	58
Parts Index.....	61

© Copyright 2011, Alliance Laundry Systems LLC

All rights reserved. No part of the contents of this book may be reproduced or transmitted in any form or by any means without the expressed written consent of the publisher.

Parts Ordering Information

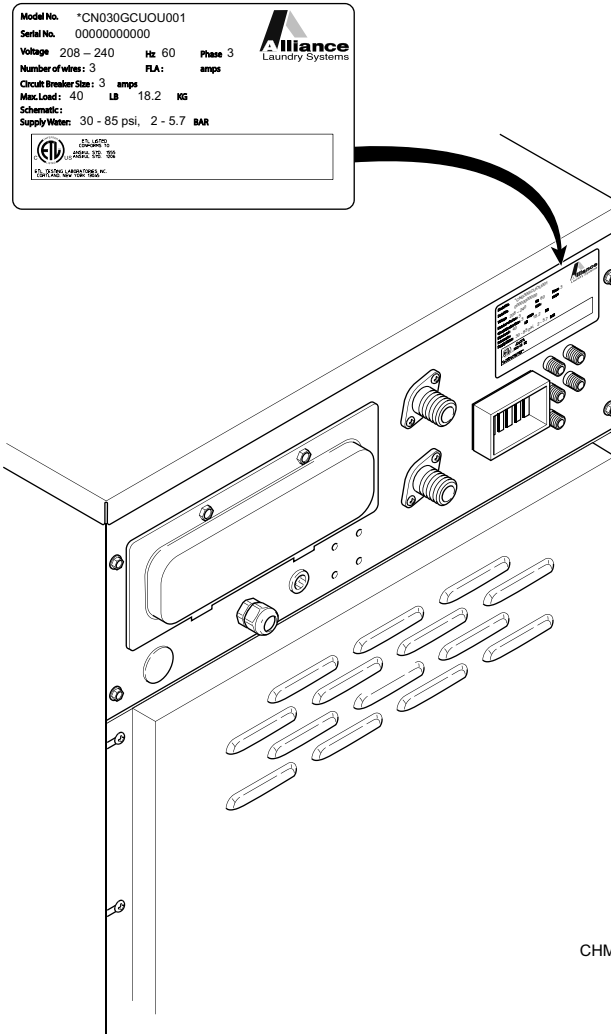
If literature or replacement parts are required, contact the source from whom the machine was purchased or contact Alliance Laundry Systems at (920) 748-3950 for the name and address of the nearest authorized parts distributor.

For technical assistance, call either of the numbers listed below:

(920) 748-3121 Ripon, Wisconsin
+32 56 41 20 54 Wevelgem, Belgium

Nameplate Location

When calling or writing about your product, be sure to mention model and serial numbers. Model and serial numbers are located on nameplate(s) as shown.



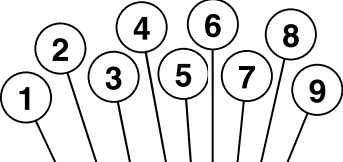
CHM3025P_F8339101

Model Identification

Information in this manual is applicable to these washer-extractor models:

HCD080LDV	SCD080LDV	UCL080GNF
HCL080HNF	SCL080GNF	UCL080HNF
HCN080GCF	SCL080HNF	UCL080KNV
HCN080GDF	SCL080KNV	UCN080GNF
HCN080GEF	SCN080GCF	UCN080HNF
HCN080GNF	SCN080GDF	UCN080KNV
HCN080GXF	SCN080GEF	UCU080GNF
HCN080GYF	SCN080GNF	UCU080HNF
HCN080HCF	SCN080GXF	UCU080KNV
HCN080HDF	SCN080GYF	VCU080GNF
HCN080HNF	SCN080HNF	
HCN080HYF	SCN080JCF	
HCN080KCF	SCN080JCV	
HCN080KCV	SCN080JDF	
HCN080KDF	SCN080JYF	
HCN080KDV	SCN080JYV	
HCN080KEV	SCN080KNV	
HCN080KYF	SCN080LCV	
HCN080KYV	SCN080LDV	
HCU080GCF	SCN080LYV	
HCU080GDF	SCN080WCV	
HCU080GEF	SCN080WDV	
HCU080GLF	SCN080WYV	
HCU080GNF	SCU080GCF	
HCU080GXF	SCU080GDF	
HCU080GYF	SCU080GEF	
HCU080HCF	SCU080GLF	
HCU080HNF	SCU080GNF	
HCU080HXF	SCU080GXF	
HCU080KCF	SCU080GYF	
HCU080KCV	SCU080HNF	
HCU080KYF	SCU080JCF	
HCU080KYV	SCU080JCV	
	SCU080JDF	
	SCU080JDV	
	SCU080JEF	
	SCU080JEV	
	SCU080JLF	
	SCU080JLV	
	SCU080JXF	
	SCU080JXV	
	SCU080JYF	
	SCU080JYV	
	SCU080KNV	

Product Overview for M4, M30, Galaxy 400, Galaxy 600, Quantum Standard and Quantum Silver

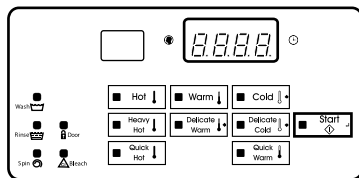


Model No. *CN030GC2U0U001
 Serial No. 00000000000
 Voltage 208 – 240 Hz 60 Phase 3
 Number of wires : 3 FLA: amps
 Circuit Breaker Size : 3 amps
 Max. Load: 40 LB 18.2 KG
 Schematic:
 Supply Water: 30 - 85 psi, 2 - 5.7 BAR

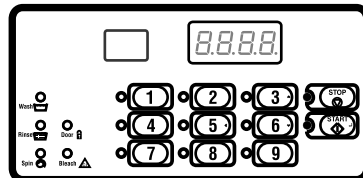
Alliance
Laundry Systems

ETL LISTED
CONFORMS TO
ANSI/UL STD. 1555
US ANSI/UL STD. 1206

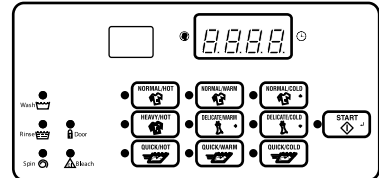
ETL TESTING LABORATORIES INC.
CORTLAND, NEW YORK 13045



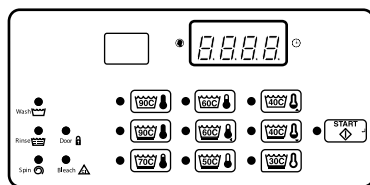
Galaxy 400 Coin



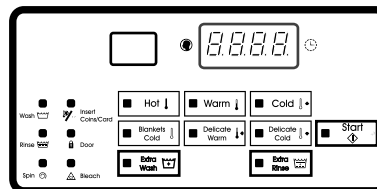
M9/Galaxy 400 OPL/Quantum Silver OPL



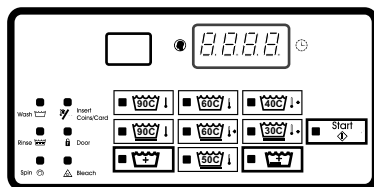
Quantum Silver Coin (Domestic)



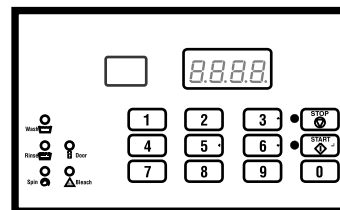
Quantum Silver Coin (International)



Galaxy 600 Coin (Domestic)



Galaxy 600 Coin (International)



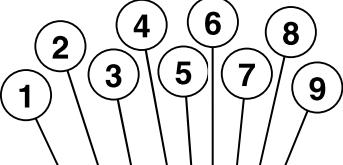
M30/Quantum Gold OPL

CHM3026P_F8339101

Product Overview for M4, M30, Galaxy 400, Galaxy 600, Quantum Standard and Quantum Silver

REF	PART NO.	DESCRIPTION	COMMENTS
1	-	Product Family	HC NC SC UC
2	-	Market	D (Daiwa) L (International ETL(c)) N (Domestic ETL(c)) U (International CE) Z (No Agency International)
3	-	Capacity (Pounds)	020 030 040 060 080 125
4	-	Control	G H J K L W
5	-	Actuation	C (Drop Coin Meter) D (Digital Coin Meter) E (Electronic World Drop) L (Prep for Remote/Central Pay) N (Non-Coin OPL) X (Prep for Coin Meter) Y (Prep for Card Reader)
6	-	Speed	2 (2 Speed) F (F Speed) V (Variable Speed)
7	-	Voltage	B (120/60/1/2) C (380-415/50/3/4) F (440-480/60/3/3) J (200/50/3/3) O (208/220-240/60/3/3) Q (200-208/220-240/50/60/3) R (380-415/440-480/50/60/3) X (200-208/220-240/50/60/1/3) Y (208/220-240/60/1/2)
8	-	Side Panel	U (Standard) 1 (Stainless Steel)
9	-	Design	1

Product Overview for M9, Galaxy 200 and Quantum Gold



Model No. *CN030GC2U0U001

Serial No. 0000000000

Voltage 208 – 240 Hz 60 Phase 3


Number of wires : 3 FLA: amps

Circuit Breaker Size : 3 amps

Max. Load: 40 LB 18.2 KG

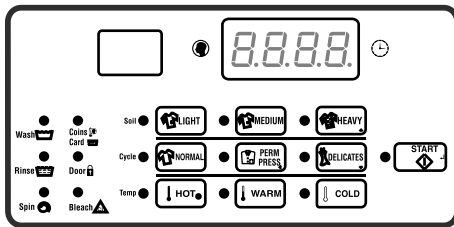
Schematic:

Supply Water: 30 - 85 psi, 2 - 5.7 BAR

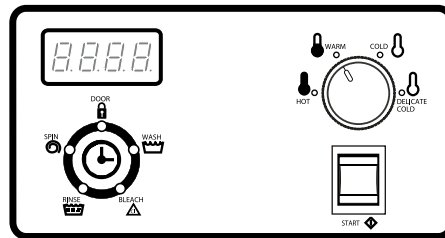


ETL LISTED
CONFORMS TO
ANSI/UL STD. 1555
US ANSI/UL STD. 1206

ETL TESTING LABORATORIES, INC.
CORTLAND, NEW YORK 13045



Quantum Gold



M4/Galaxy 200/Quantum Standard

CHM3034P_F8339101

Product Overview for M9, Galaxy 200 and Quantum Gold

REF	PART NO.	DESCRIPTION	COMMENTS
1	-	Product Family	HC NC SC UC
2	-	Market	D (Daiwa) L (International ETL(c)) N (Domestic ETL(c)) U (International CE) Z (No Agency International)
3	-	Capacity (Pounds)	020 030 040 060 080 125
4	-	Control	G H J K L W
5	-	Actuation	C (Drop Coin Meter) D (Digital Coin Meter) E (Electronic World Drop) L (Prep for Remote/Central Pay) N (Non-Coin OPL) X (Prep for Coin Meter) Y (Prep for Card Reader)
6	-	Speed	2 (2 Speed) F (F Speed) V (Variable Speed)
7	-	Voltage	B (120/60/1/2) C (380-415/50/3/4) F (440-480/60/3/3) J (200/50/3/3) O (208/220-240/60/3/3) Q (200-208/220-240/50/60/3) R (380-415/440-480/50/60/3) X (200-208/220-240/50/60/1/3) Y (208/220-240/60/1/2)
8	-	Side Panel	U (Standard) 1 (Stainless Steel)
9	-	Design	1

Decals

WARNING
To reduce the risk of serious injury:
Avoid contact with hot surfaces.

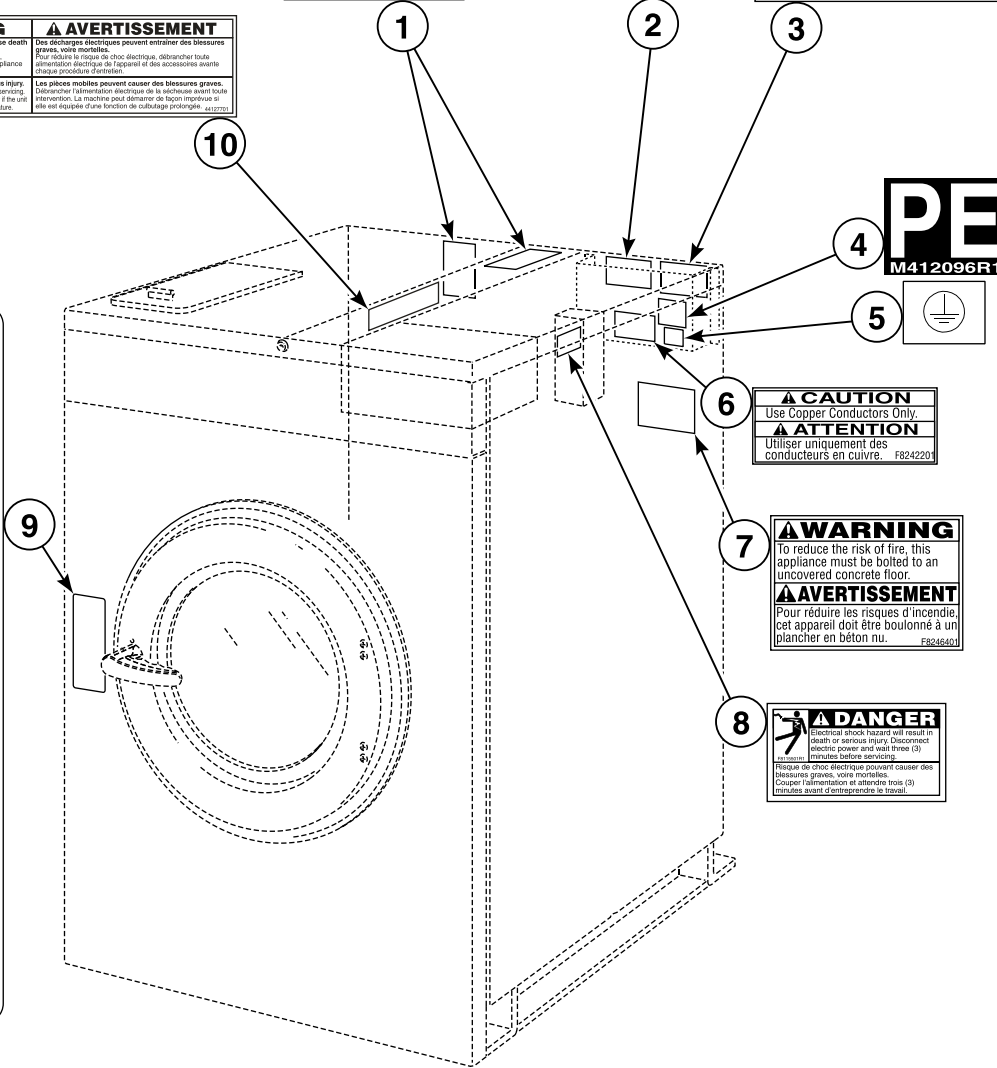
F8211901R1

MISE EN GARDE
Pour réduire les risques de blessures graves:
Éviter tout contact avec les surfaces chaudes.

NOTICE
EXTERNAL SUPPLY SIGNALS
CONNECTION POINTS ARE LOCATED INSIDE THIS AREA.
F8150201R1

WARNING
AVERTISSEMENT
Electrical shock hazard can cause death or serious injury. To reduce the risk of electric shock, disconnect all electric power to appliance and accessories before servicing.
Des décharges électriques peuvent entraîner des blessures graves, voire mortelles.
Pour réduire le risque de choc électrique, débrancher toute alimentation électrique de l'appareil et des accessoires avant chaque proc dure d'entretien.
F8233501

WARNING Electrical shock hazard can cause death or serious injury. To reduce the risk of electric shock, disconnect all electric power to appliance and accessories before servicing. Moving parts hazard can cause serious injury. Disconnect electric power to unit before servicing. Unexpected start of machinery will occur if the unit is equipped with the extended tumble feature.	AVERTISSEMENT Des décharges électriques peuvent entraîner des blessures graves, voire mortelles. Pour réduire le risque de choc électrique, débrancher toute alimentation électrique de l'appareil et des accessoires avant chaque procédure d'entretien. Les pièces mobiles peuvent causer des blessures graves. Débrancher l'alimentation électrique de la machine avant toute intervention. La machine peut démarer de façon imprévue si elle est équipée d'une fonction de coulissage prolongée.
---	--



WARNING
AVERTISSEMENT
To reduce the risk of fire:
Do not put flammable liquids, cleaning solvents, or articles soiled with these substances, in the washer. Do not wash items soiled with vegetable or cooking oil.
Pour réduire les risques d'incendie:
Ne verser aucun liquide inflammable ni aucun solvant de détachage dans la machine à laver, et n'y placer aucun article souillé de ces liquides ou de ces solvants.
Ne pas laver d'articles souillés d'huile végétale ou d'huile à cuisson.

WARNING
AVERTISSEMENT
High speed spin
To reduce the risk of serious injury:
Do not attempt to open the door until:
- Water has drained.
- All moving parts have stopped.
Do not let children play in or on the washer.
Do not climb on or in the washer.
Essorage à haute vitesse
Pour réduire les risques de blessures graves:
Ne pas tenter d'ouvrir la porte avant :
- Que l'eau ait été complètement évacuée.
- Que toutes les pièces mobiles soient complètement immobilisées.
Ne pas laisser d'enfants jouer dans la machine à laver ni autour de la machine.
Ne pas monter sur la machine à laver, ne pas se glisser à l'intérieur.

IMPORTANT:
In case of power failure wait 2 minutes before attempting to open door.
En cas de panne d'alimentation, attendre 2 minutes avant de tenter d'ouvrir la porte.

Open/Ouverte Closed/Fermée

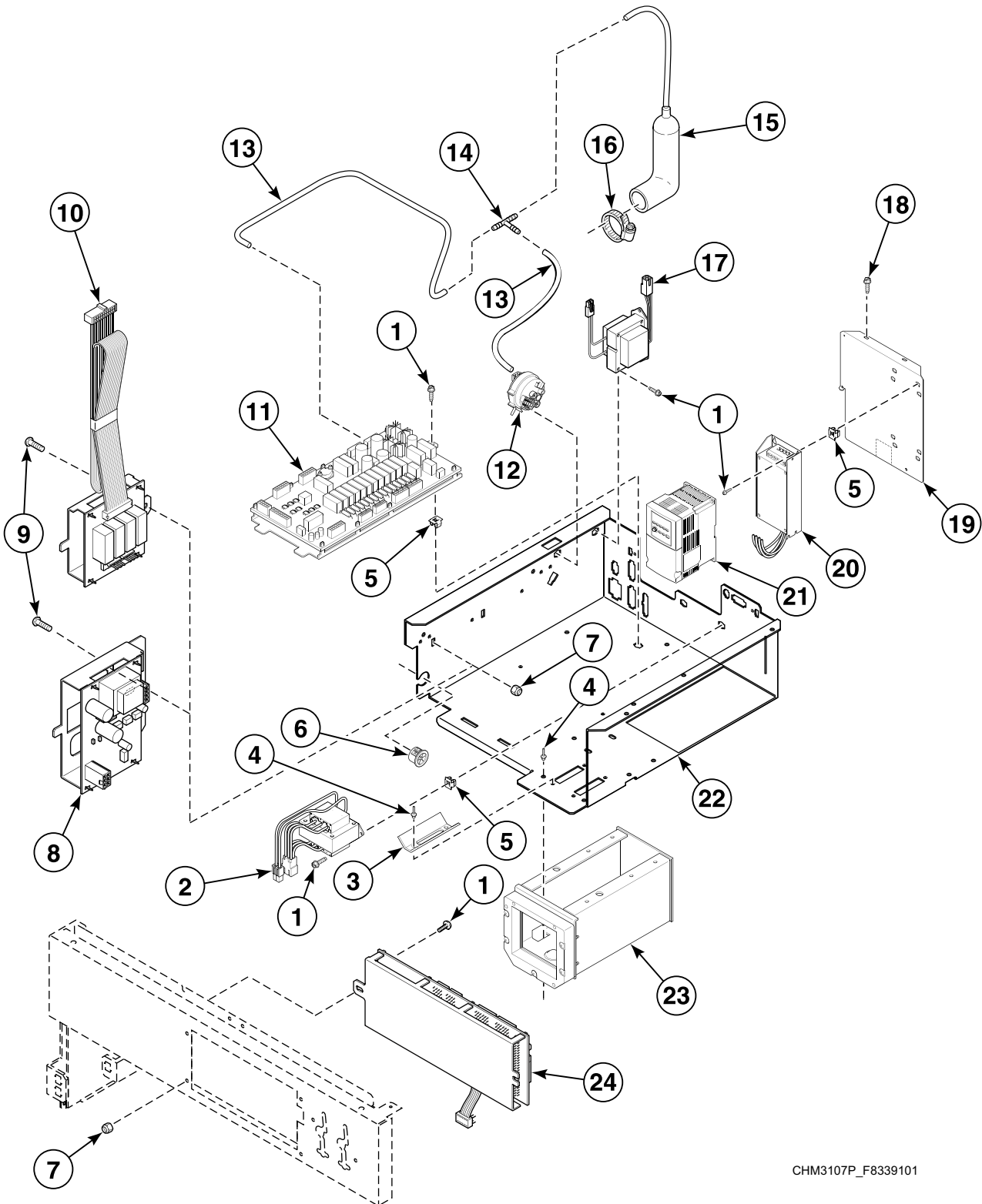
F8207901

CHM3106P_F8339101

Decals

REF	PART NO.	DESCRIPTION	COMMENTS
1	F8211901	Hot Surface Warning Plate	
2	F8150201	External Supply Connection Decal	
3	F8233501	Warning Label	
4	M412096	Earth Terminal Sticker	
5	F230739	Ground Decal	
6	F8242201	Use Copper Conductors Only Caution Label	
7	F8246401	Mount on Concrete Warning Label	
8	F8115501	Electric Shock Danger Label	
9	F8207901	Warning Label	
10	44127701	Warning Label	

Control Module - Coin Models



CHM3107P_F8339101

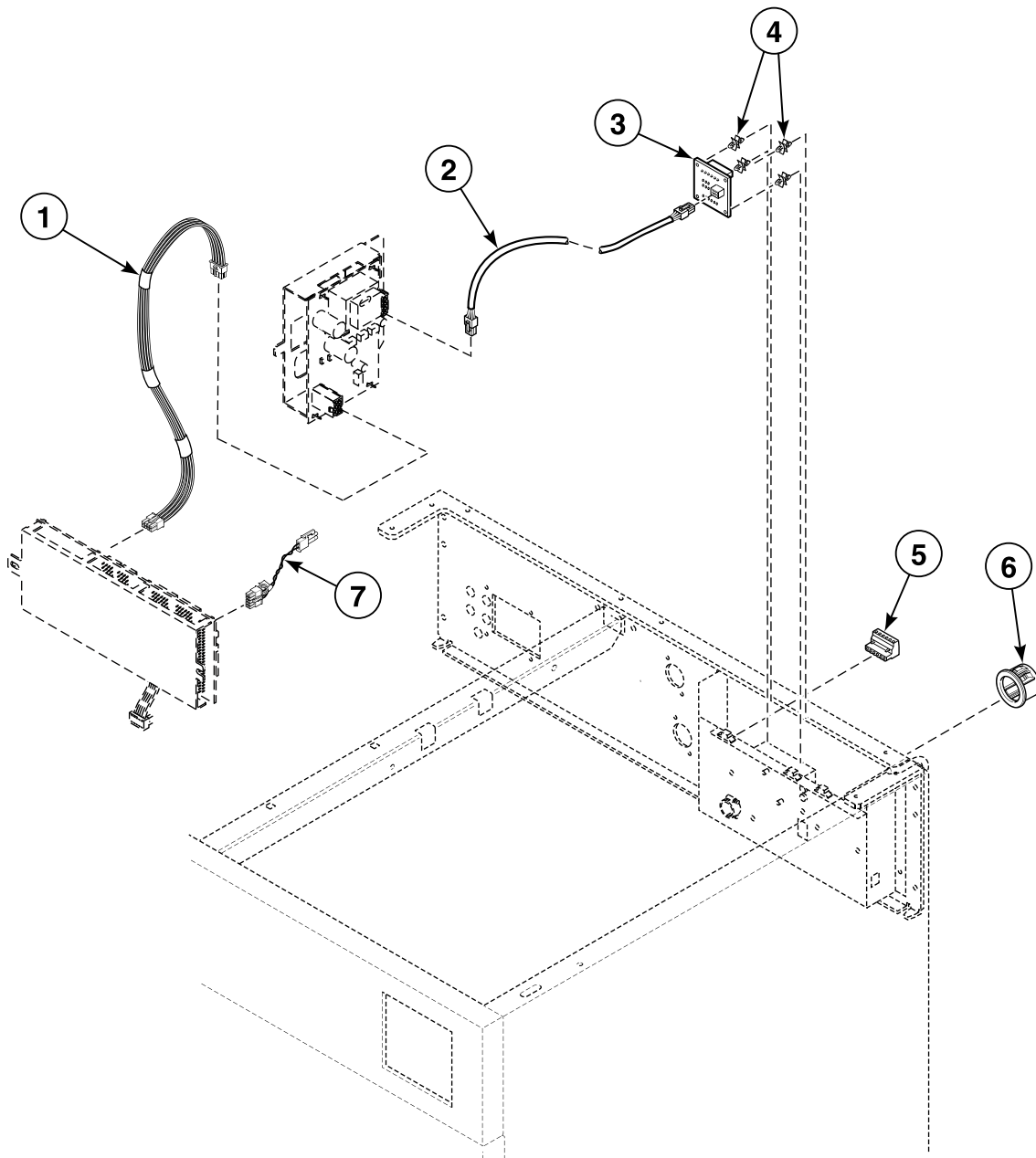
Control Module - Coin Models

REF	PART NO.	DESCRIPTION	COMMENTS
	F8028701	Output/Logic Harness	
	F8167901	USB IR Device Assembly	
	F8191201P	External Supply Harness	Model HCD080LDV
	F937P3	External Supply Kit	Includes items 1, 10, 17, F8191201P External Supply Harness and screws; Model HCD080LDV
	M413506	Jumper Harness Assembly	208 Volt
	M413507	Jumper Configuration Assembly	240 Volt
1	F8206901	Screw	
2	210019P	Transformer	
3	F8170801	Coin Chute	
4	70058501	Pop Rivet	
5	70030501	Expansion Clip	
6	44071501	Snap Bushing	
7	F430232	Nut	
8	201341	Network Board Assembly	Models SCN080WCV, SCN080WDV and SCN080WYV
9	F430903	Screw	
10	F8189401	Auxiliary Control Assembly	Model HCD080LDV
11	F980P3	Control Assembly Kit	Includes item 14 and F8108001 Output Assembly
12	F8223001P	Water Pressure Switch	
13	F8153901	Tubing	
14	F8246601	Tee	
15	F020014200	Air Trap Hose	
16	F200222	Hose Clamp	No. 12
17	201616	Transformer	External supply; Model HCD080LDV
18	430497	Screw	
19	F8195803	Support Bracket	
20	F8053901P	EMI Filter	200 Volt
	F8053902	EMI Filter	400 Volt
21	F8169432	PowerFlex 40 Drive	Q and X-voltage; Use with F8334601 Marathon Motor
	F8169410	PowerFlex 40 Drive	R-voltage; Use with F8054101 Reliance Motor
	F8169409	PowerFlex 40 Drive	Q and X-voltage; Use with F8054101 Reliance Motor
	F8169433	PowerFlex 40 Drive	R-voltage; Use with F8334601 Marathon Motor
22	F8205903	Control Tray Assembly	Includes items 3 and 23
23	F8182601	Coin Vault Assembly	
24	F8099101P	Control Assembly	

Control Module - OPL Models

REF	PART NO.	DESCRIPTION	COMMENTS
	F8028701	Output/Logic Harness	
	F8167901	USB IR Device Assembly	
	F8191201P	External Supply Harness	
	F937P3	External Supply Kit	Includes items 1, 8, 15, F8191201P External Supply Harness and screws
	M413506	Jumper Harness Assembly	208 Volt
	M413507	Jumper Configuration Assembly	240 Volt
1	F8206901	Screw	
2	210019P	Transformer	
3	70030501	Expansion Clip	
4	44071501	Snap Bushing	
5	F430232	Nut	
6	201341	Network Board Assembly	Network models
7	F430903	Screw	
8	F8189401	Auxiliary Control Assembly	
9	F980P3	Control Assembly Kit	Includes item 12 and F8108001 Output Assembly
10	F8223001P	Water Pressure Switch	
11	F8153901	Tubing	
12	F8246601	Tee	
13	F020014200	Air Trap Hose	
14	F200222	Hose Clamp	No. 12
15	201616	Transformer	External supply
16	430497	Screw	
17	F8195803	Support Bracket	
18	F8053901P	EMI Filter	200 Volt
	F8053902	EMI Filter	400 Volt
19	F8169432	PowerFlex 40 Drive	Q and X-voltage; Use with F8334601 Marathon Motor
	F8169410	PowerFlex 40 Drive	R-voltage; Use with F8054101 Reliance Motor
	F8169409	PowerFlex 40 Drive	Q and X-voltage; Use with F8054101 Reliance Motor
	F8169433	PowerFlex 40 Drive	R-voltage; Use with F8334601 Marathon Motor
20	F8205903	Control Tray Assembly	
21	F8099101P	Control Assembly	

Network Controls - WC, WD, WE and WY Models

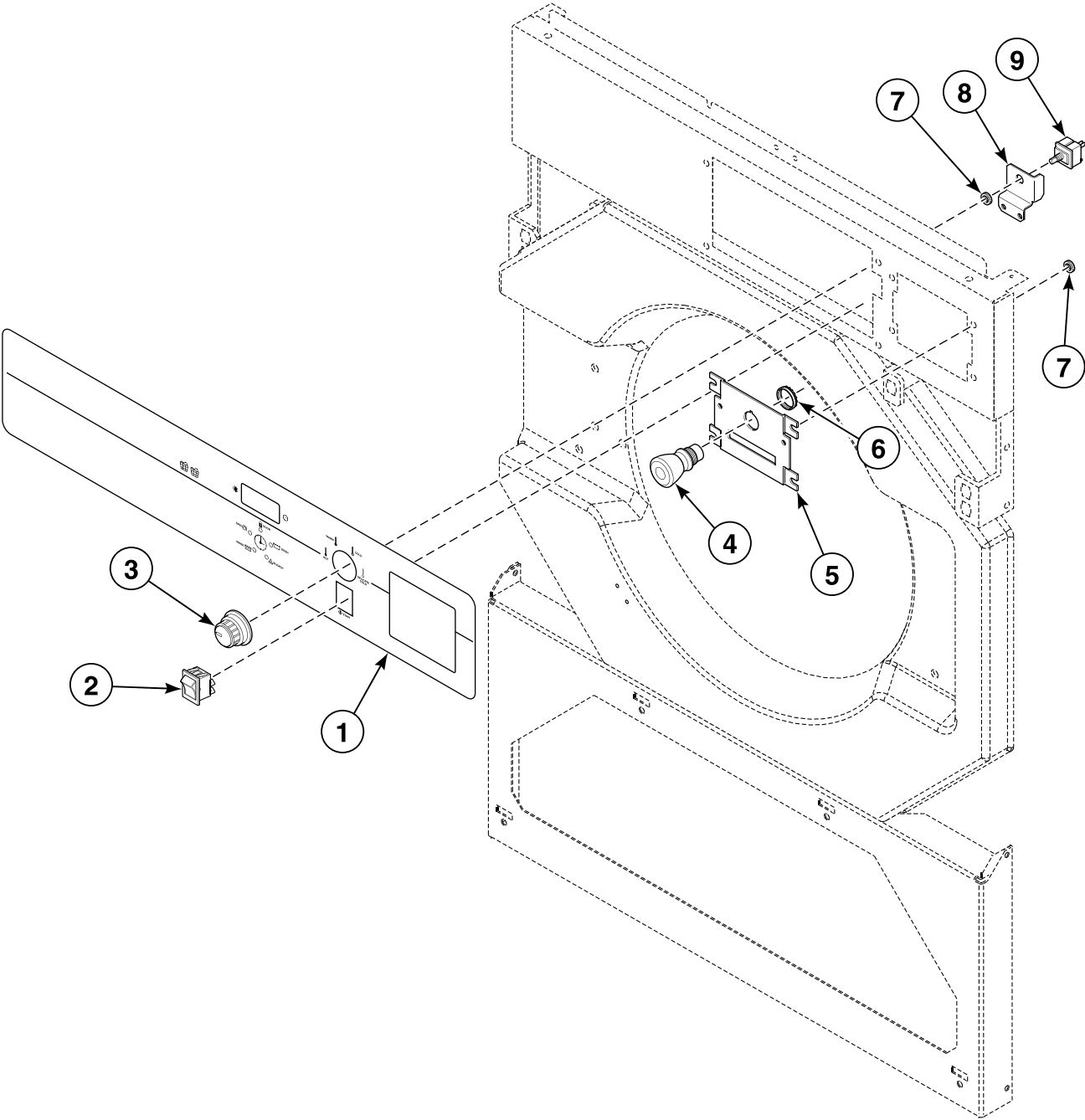


CHM3090P_F8339101

Network Controls - WC, WD, WE and WY Models

REF	PART NO.	DESCRIPTION	COMMENTS
	NK204	Network Retrofit Kit	Includes items 1, 3-4, 7, 201341 Network Board Assembly, 430497 Screw and 51780 Screw
	NK220	Network Controller Kit	Includes 210162 Terminating Resistor, 511949 Network Controller Assembly, 512161 Network Controller Power Supply and 513375 Ethernet Cable
1	44088501P	Network Wire Harness Assembly	
2	44141801P	Network Harness	
3	210095P	Communication Board	
4	210098	PC Board Standoff	
5	210099	Communication Connector	
6	M400770	Snap Bushing	
7	70338301P	Communication Harness	

Control Panel Overlays, Rocker Switch, Temperature Knob and Emergency Stop Button - GN, HN and KN Models



CHM3109P_F8339101

Control Panel Overlays, Rocker Switch, Temperature Knob and Emergency Stop Button - GN, HN and KN Models

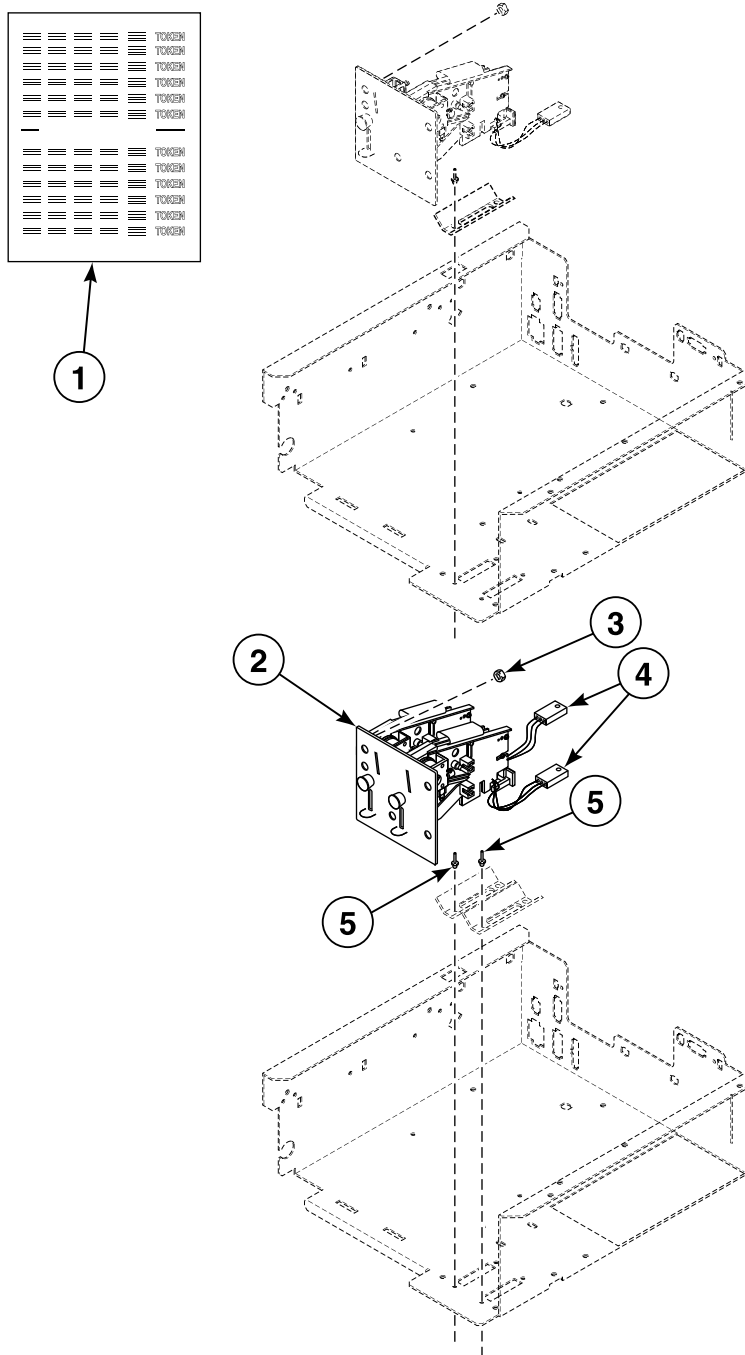
REF	PART NO.	DESCRIPTION	COMMENTS
1	F8293901	Control Panel Overlay	Models SCL080GNF, SCN080GNF and SCU080GNF
	F8296401	Control Panel Overlay	Models SCL080KNV, SCN080KNV and SCU080KNV
	F8227401	Control Panel Overlay	Models SCL080HNF and SCN080HNF
	F8236701	Control Panel Overlay	Models UCL080GNF, UCN080GNF and UCU080GNF
	F8294901	Control Panel Overlay	Models SCL080HNF, SCN080HNF and SCU080HNF
	F8224701	Control Panel Overlay	Models HCL080HNF, HCN080HNF and HCU080HNF
	F8225201	Control Panel Overlay	Models UCL080HNF, UCN080HNF and UCU080HNF
	F8226701	Control Panel Overlay	Models UCL080KNV, UCN080KNV and UCU080KNV
	F8219601	Overlay	Models HCN080GNF and HCU080GNF
	F8236801	Control Panel Overlay	Model VCU080GNF
2	512562P	Rocker Switch	
3	44104601	Temperature Knob	
4	F200233500	Emergency Stop Pushbutton	
5	F8201301	Emergency Stop Plate	
6	24205	Nut	
7	F431017	Nut	
8	70391701	Temperature Selector Switch Bracket	
9	511711	Temperature Selector Switch	

Flush Mount Coin Meter Assembly - Coin Models (Drawing 1 of 2)

REF	PART NO.	DESCRIPTION	COMMENTS
	F200010000P	Coin Meter Assembly	Single drop; U.S. \$.25; Includes items 2 and 3
	F200010006	Coin Meter Assembly	Single drop; .800 token; Includes items 2 and 3
	F200010007	Coin Meter Assembly	Single drop; .880 token; Includes items 2 and 3
	F200010009	Coin Meter Assembly	Single drop; .990 token; Includes items 2 and 3
	F200010011	Coin Meter Assembly	Single drop; Jeton WH121 token; Includes items 2 and 3
	F200010012	Coin Meter Assembly	Single drop; Jeton .08 token; Includes items 2 and 3
1	38725	Coin Identification Paper	
2	38464P	Coin Drop Assembly	Single drop; Canada .25
	N/A	Coin Drop Assembly	Single drop; Australia .20
	N/A	Coin Drop Assembly	Single drop; Belgium 5 franc
	N/A	Coin Drop Assembly	Single drop; Denmark 2 krone
	N/A	Coin Drop Assembly	Single drop; United Kingdom 20 pence
	N/A	Coin Drop Assembly	Single drop; France 2 franc
	N/A	Coin Drop Assembly	Single drop; Hong Kong 5 dollar
	N/A	Coin Drop Assembly	Single drop; Italy 500 lirraiget
	N/A	Coin Drop Assembly	Single drop; Japan 100 yen
	N/A	Coin Drop Assembly	Single drop; Korea 500 won
	N/A	Coin Drop Assembly	Single drop; South Africa 2 rand
	N/A	Coin Drop Assembly	Single drop; Spain 100 peseta
	N/A	Coin Drop Assembly	Single drop; Thailand 10 baht
	N/A	Coin Drop Assembly	Single drop; .886 token
	N/A	Coin Drop Assembly	Single drop; 1.000 token
	N/A	Coin Drop Assembly	Single drop; Jeton .08 token
	70441601P	Coin Drop	Single drop; U.S. \$.25
	N/A	Coin Drop Assembly	Single drop; .800 token
	38462P	Coin Drop Assembly	Single drop; .880 token
	38463	Coin Drop Assembly	Single drop; .990 token
	N/A	Coin Drop Assembly	Single drop; Jeton WH121 token
	N/A	Coin Meter	Single drop; Jeton .08 token
3	685846	Nut	Single drop
4	200674P	Opto Coupler	
5	70058501	Pop Rivet	Single drop

N/A = Part no longer available

Flush Mount Coin Meter Assembly - Coin Models (Drawing 2 of 2)



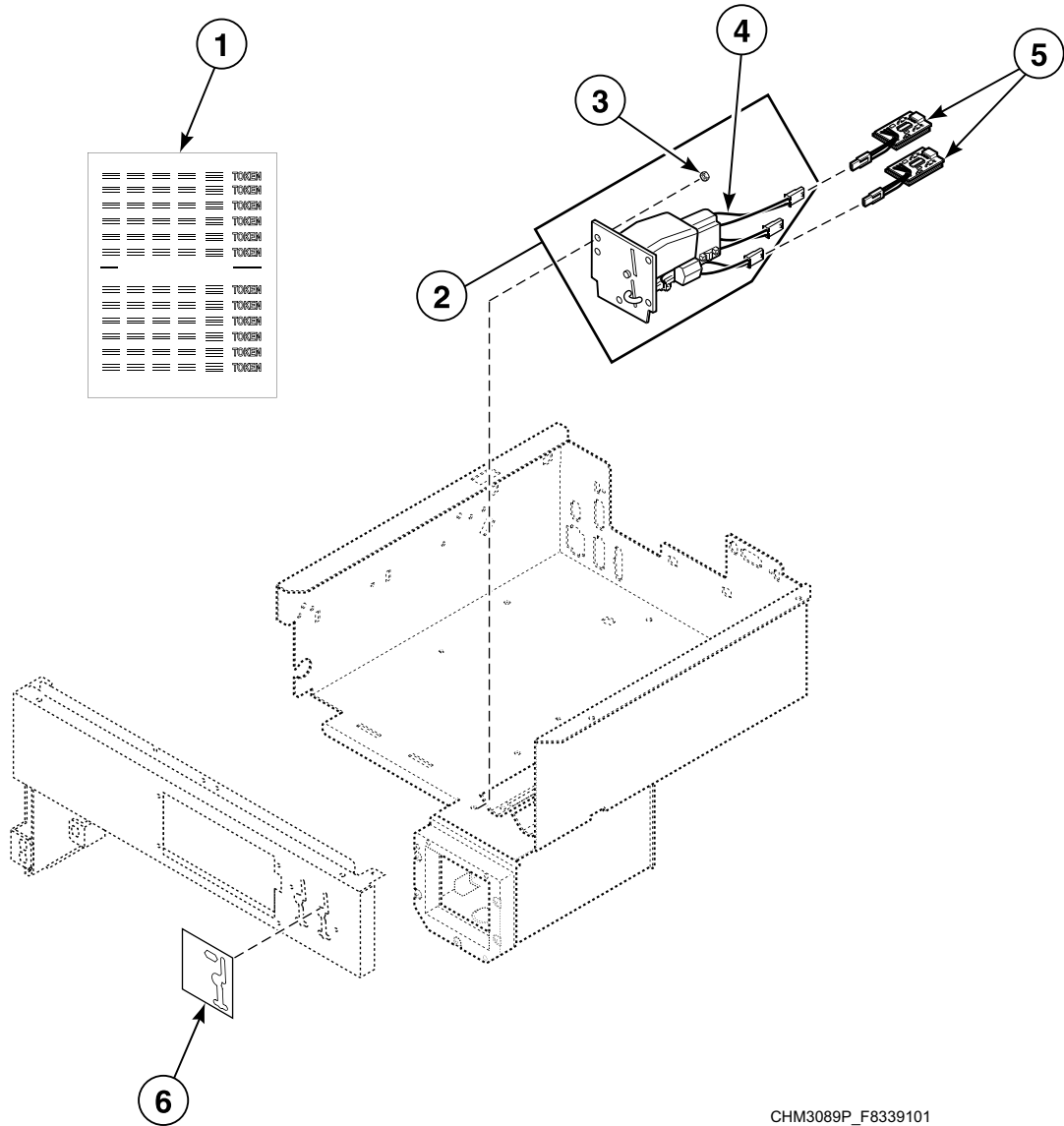
CHM3088PA_F8339101

Flush Mount Coin Meter Assembly - Coin Models (Drawing 2 of 2)

REF	PART NO.	DESCRIPTION	COMMENTS
	F200010001	Coin Meter Assembly	Dual drop; Australia .20 and 1; Includes items 2 and 3
	F200010002	Coin Meter Assembly	Dual drop; 100 and 500 yen; Includes items 2 and 3
	F200010003	Coin Meter Assembly	Dual drop; Canada 1.00 and .25; Includes items 2 and 3
	F200010004	Coin Meter Assembly	Dual drop; New Zealand .20 and 1; Includes items 2 and 3
	F200010005	Coin Meter Assembly	Dual drop; U.S. \$1.00 and \$.25; Includes items 2 and 3
	F200010008	Coin Meter Assembly	Dual drop; .50 and 2.00 euro; Includes items 2 and 3
	F200010010	Coin Meter Assembly	Dual drop; 10 and 50 Taiwan; Includes items 2 and 3
1	38725	Coin Identification Paper	
2	N/A	Coin Meter	Dual drop; 10 and 50 Taiwan
	N/A	Coin Meter	Dual drop; Belgium 5 and 20 franc
	N/A	Coin Meter	Dual drop; Denmark 1 and 5 krone
	N/A	Coin Meter	Dual drop; Denmark 5 and 10 krone
	38472	Coin Drop Assembly	Dual drop; United Kingdom 20 pence and 1 pound
	N/A	Coin Meter	Dual drop; .20 and .50 euro
	210195	Coin Drop Assembly	Dual drop; .20 and 1.00 euro
	210196	Coin Drop Assembly	Dual drop; .50 and 1.00 euro
	N/A	Coin Meter	Dual drop; 2 and 5 franc
	N/A	Coin Meter	Dual drop; 2 and 10 franc
	39157	Coin Drop Assembly	Dual drop; Israel 1 and 5 shekel
	38521	Coin Drop Assembly	Dual drop; Korea 100 and 500 won
	N/A	Coin Meter	Dual drop; Spain 100 and 500 peseta
	N/A	Coin Drop Assembly	Dual drop; Australia .20 and 1
	N/A	Coin Drop Assembly	Dual drop; Japan 100 and 500 yen
	N/A	Coin Drop Assembly	Dual drop; Canada 1.00 and .25
	N/A	Coin Drop Assembly	Dual drop; New Zealand .20 and 1
	70256402P	Coin Drop	Dual drop; U.S. \$1.00 and \$.25
	F0160737-00	Coin Meter	Dual drop; .50 and 2.00 euro
	70281102	Coin Drop Assembly	Dual drop; 10 and 50 Taiwan dollar
	N/A	Coin Meter	Dual drop; Taiwan 5 and 10 dollar
3	685846	Nut	Single drop
4	200674P	Opto Coupler	
5	70058501	Pop Rivet	Single drop

N/A = Part no longer available

Electronic Coin Meter Assembly - Coin Models

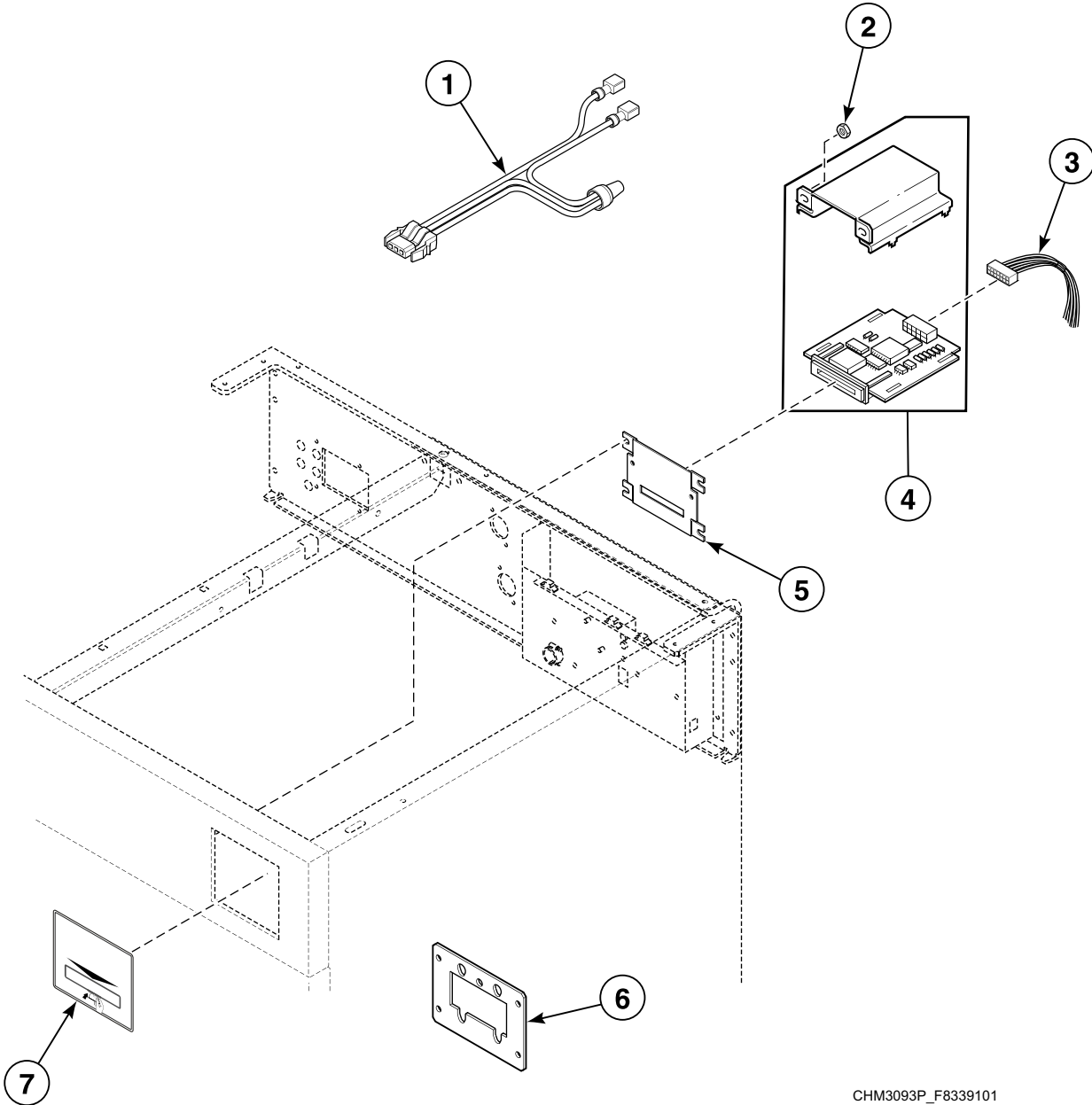


CHM3089P_F8339101

Electronic Coin Meter Assembly - Coin Models

REF	PART NO.	DESCRIPTION	COMMENTS
	CK110	Electronic Coin Drop Kit	Includes items 1, 4, 201091 Overlay, 201104 Harness, 201216 Nut and 201572 Clip
	CK501	Electronic Coin Drop Kit	Includes item 2
1	38725	Coin Identification Paper	
2	F200021600	Coin Meter Assembly	U.S., Canada, Japan and Taiwan; Includes items 3 and 4; CK501 Electronic Coin Drop Kit required for installation
	F200021601	Coin Meter Assembly	Australia, New Zealand, Hong Kong, South Korea and Malaysia; Includes items 3 and 4; CK501 Electronic Coin Drop Kit required for installation
	F200021602	Coin Meter Assembly	United Kingdom and euro; Includes items 3 and 4; CK501 Electronic Coin Drop Kit required for installation
	F200021603	Coin Meter Assembly	Denmark, Norway and euro; Includes items 3 and 4; CK501 Electronic Coin Drop Kit required for installation
	F200021604	Coin Meter Assembly	U.S., Ecuador and Mexico; Includes items 3 and 4; CK501 Electronic Coin Drop Kit required for installation
	F200021605	Coin Meter Assembly	Euro, Latvia and Lithuania; Includes items 3 and 4; CK501 Electronic Coin Drop Kit required for installation
3	685846	Nut	
4	70294101P	Electronic Coin Drop Assembly	U.S., Canada, Japan and Taiwan; Includes 201216 Nut
	70294105P	Electronic Coin Drop Assembly	Australia, New Zealand, Hong Kong, South Korea and Malaysia
	70294103P	Electronic Coin Drop Assembly	United Kingdom and euro; Includes 201216 Nut
	70294104	Electronic Coin Drop Assembly	Denmark, Norway and euro
	70294106	Electronic Coin Drop Assembly	U.S., Ecuador and Mexico
	70294107	Electronic Coin Drop Assembly	Euro, Latvia and Lithuania
	70294111	Electronic Coin Drop Assembly	.10 - 2.00 Euro
5	F8034701P	Pulse Expander Assembly	
6	F8205101	Overlay	Models SCN080GXF, SCU080GXF, SCU080JXF and SCU080JXV; Black
	F8205201	Overlay	Models HCN080GXF, HCU080GXF and HCU080HXF; Gray

Card Reader - GY, HY, JY, KY, LY and WY Models

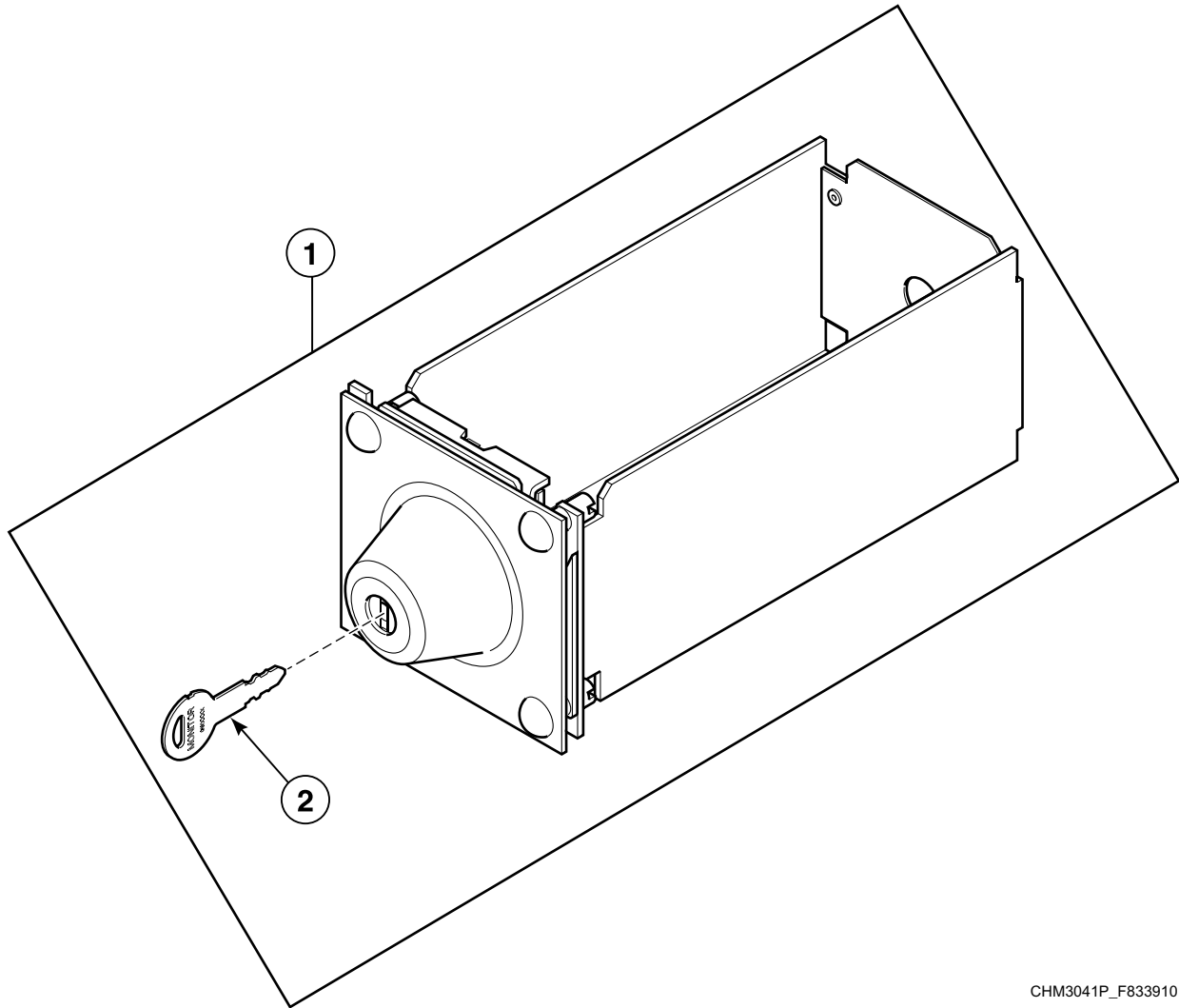


CHM3093P_F8339101

Card Reader - GY, HY, JY, KY, LY and WY Models

REF	PART NO.	DESCRIPTION	COMMENTS
1	F631973-2	Harness	Access
2	F430174	Screw	
3	F141887	Card Reader Harness	Non-network models
	F141889	Card Reader Harness	Network models
4	510068P	Card Reader and Bracket Assembly	
5	F8201501	Card Reader Assembly	Includes item 4
6	70208801	Mounting Plate	
7	70334201	Card Reader Overlay	Models SCN080GYF, SCN080JYF, SCN080JYV, SCN080LYV, SCN080WYV, SCU080GYF, SCU080JYF and SCU080JYV; Black
	70438201	Card Reader Overlay	Models HCN080GYF, HCN080HYF, HCN080KYF, HCN080KYV, HCU080GYF, HCU080KYF and HCU080KYV; Gray

Optional Coin Box

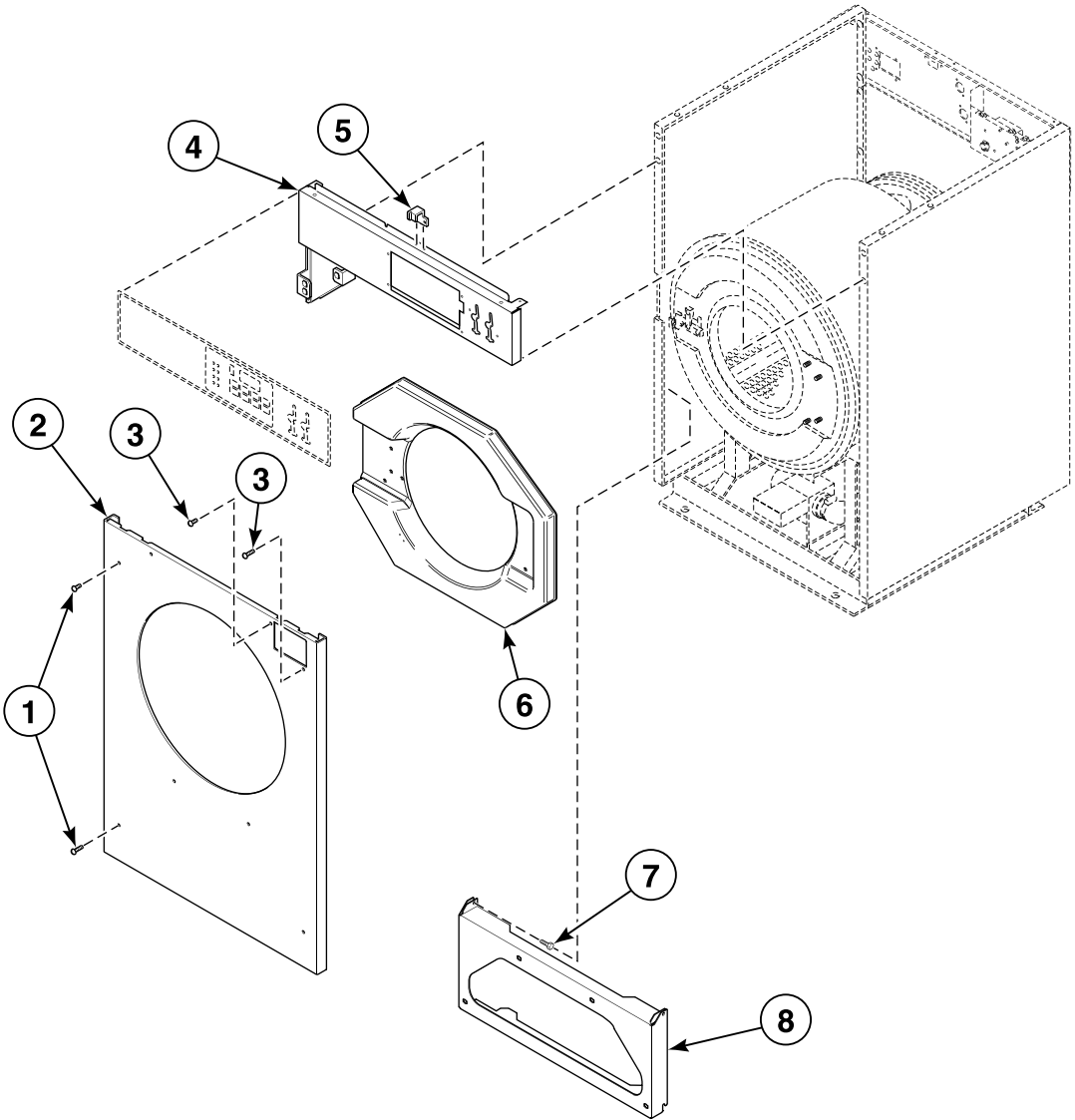


CHM3041P_F8339101

Optional Coin Box

REF	PART NO.	DESCRIPTION	COMMENTS
1	F8182001	Coin Drawer Assembly	
2	F160420	Key	UG21

Front Panels and Control Panels - All Coin Models Except GC, GD, GE, GL, GX and GY Models

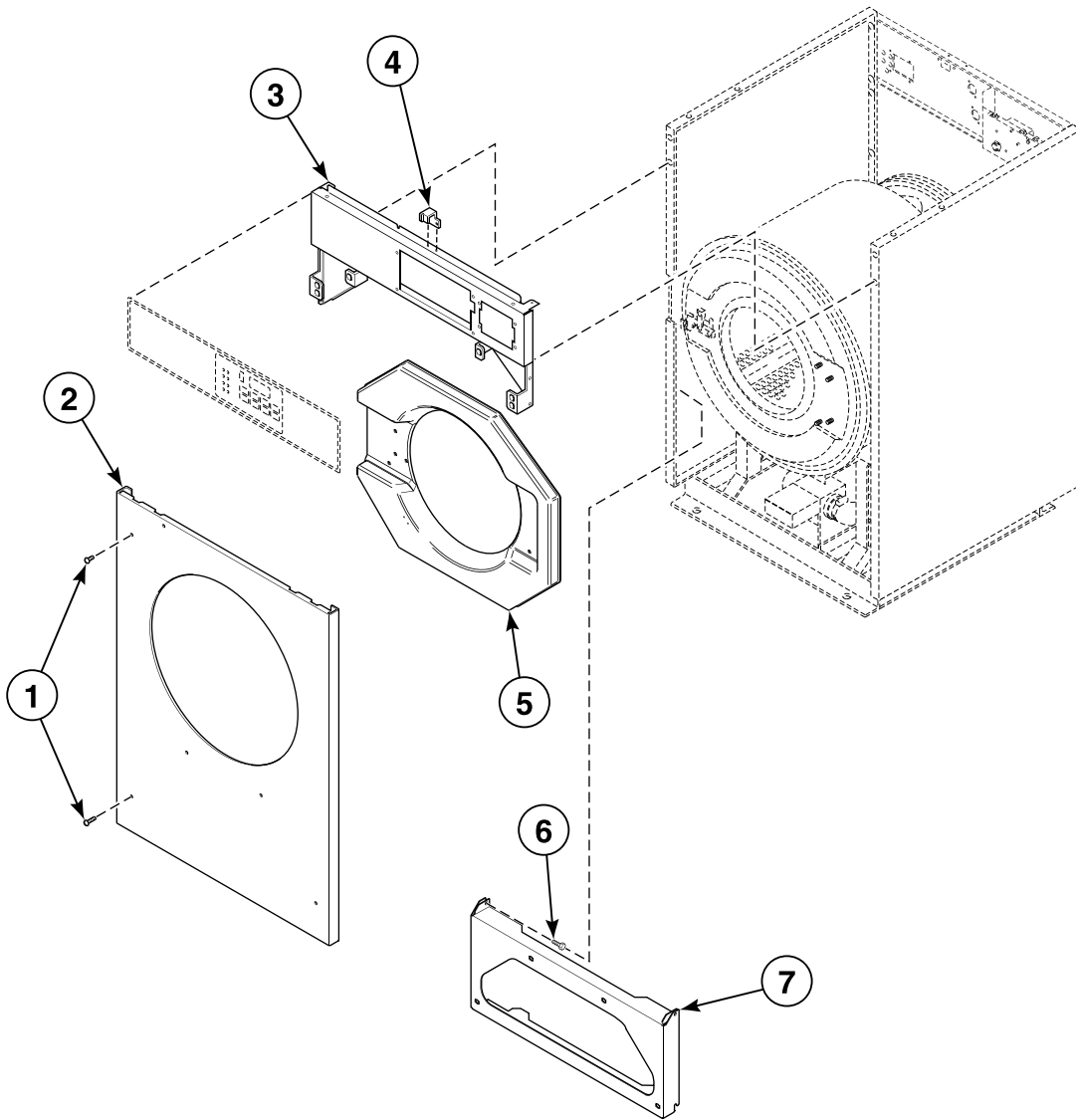


CHM3091P_F8339101

Front Panels and Control Panels - All Coin Models Except GC, GD, GE, GL, GX and GY Models

REF	PART NO.	DESCRIPTION	COMMENTS
1	F430956	Screw	
2	F8173301P	Front Panel	
3	801019	Screw	
4	F8041802	Control Panel Assembly	
5	F8201001	Top Cover Latch	
6	F170419-1	Door Bezel	Black; Models SCN080JCF, SCN080JCV, SCN080JDF, SCN080LCV, SCN080LDV, SCN080WCV, SCU080JCF, SCU080JCV, SCU080JDF, SCU080JDV, SCU080JEF, SCU080JEV, SCU080JLF, SCU080JLV, SCU080JXF and SCU080JXV
	F170419-2	Door Bezel	Pantone 403; Models HCN080HCF, HCN080HDF, HCN080KCF, HCN080KCV, HCN080KDF, HCN080KDV, HCN080KEV, HCU080HCF, HCU080HXF, HCU080KCF and HCU080KCV; Models through 1/10/10
	F170419-3	Door Bezel	Gray; Models HCN080HCF, HCN080HDF, HCN080KCF, HCN080KCV, HCN080KDF, HCN080KDV, HCN080KEV, HCU080HCF, HCU080HXF, HCU080KCF and HCU080KCV; Models starting 1/11/10
7	F430174	Screw	
8	F8174201	Lower Cabinet Brace	

Front Panels and Control Panels - All OPL and Prep for Card Reader Models Except GN and GY Models

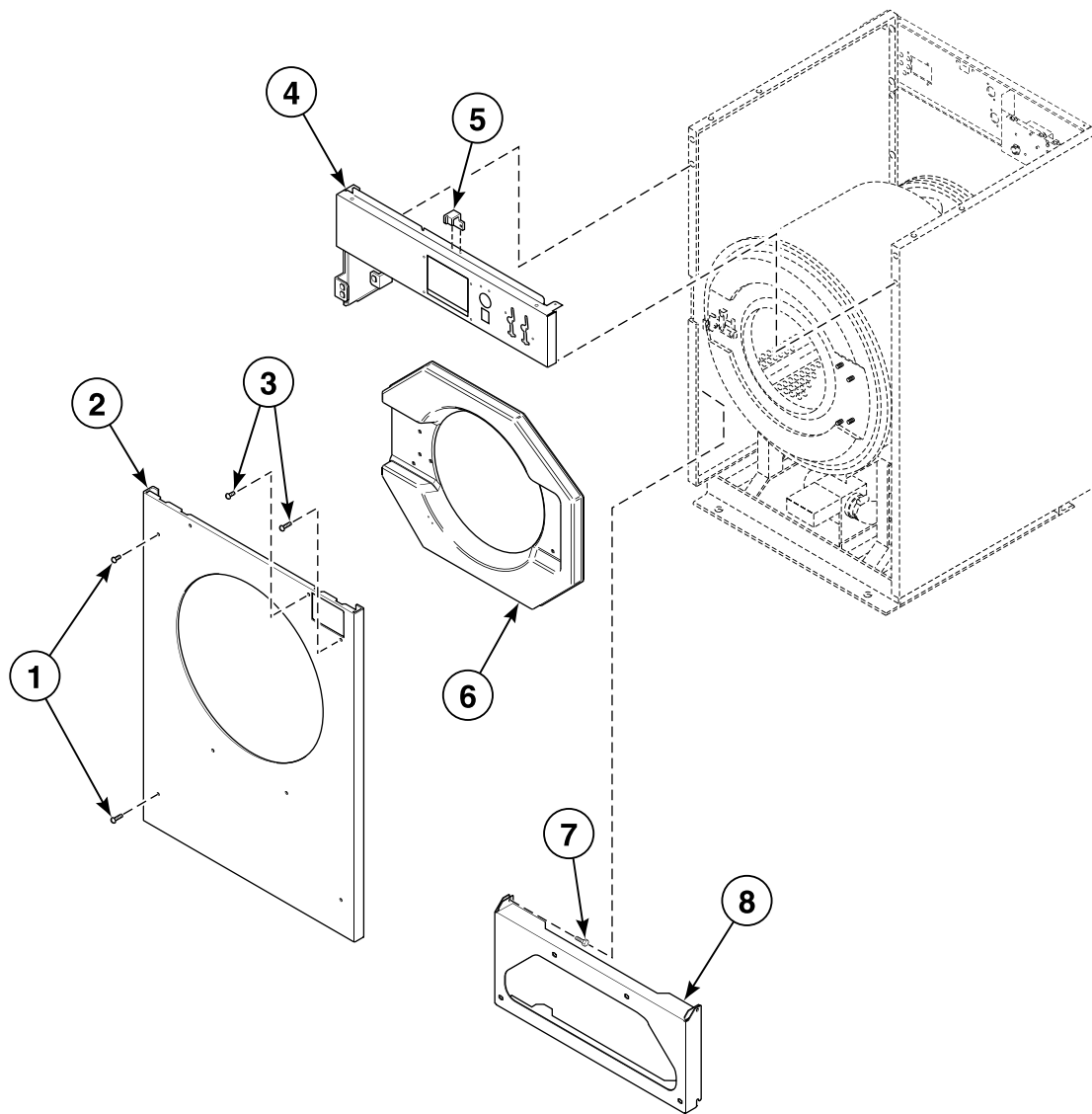


CHM3098P_F8339101

Front Panels and Control Panels - All OPL and Prep for Card Reader Models Except GN and GY Models

REF	PART NO.	DESCRIPTION	COMMENTS
1	F430956	Screw	
2	F8173302	Front Panel	
3	F8041804	Control Panel Assembly	
4	F8201001	Top Cover Latch	
5	F170419-1	Door Bezel	Black; Models SCL080HNF, SCL080KNV, SCN080HNF, SCN080JYV, SCN080KNV, SCN080LYV, SCN080WYV, SCU080HNF, SCU080JYF, SCU080JYV and SCU080KNV
	F170419-2	Door Bezel	Pantone 403; Models HCN080HYF, HCN080KYF, HCN080KYV, HCU080HNF, HCU080KYF and HCU080KYV; Models through 1/10/10
	F170419-3	Door Bezel	Gray; Models HCN080HYF, HCN080KYF, HCN080KYV, HCU080HNF, HCU080KYF and HCU080KYV; Models starting 1/11/10
6	F430174	Screw	
7	F8174201	Lower Cabinet Brace	

Front Panels and Control Panels - GC, GD, GE, GL and GX Models

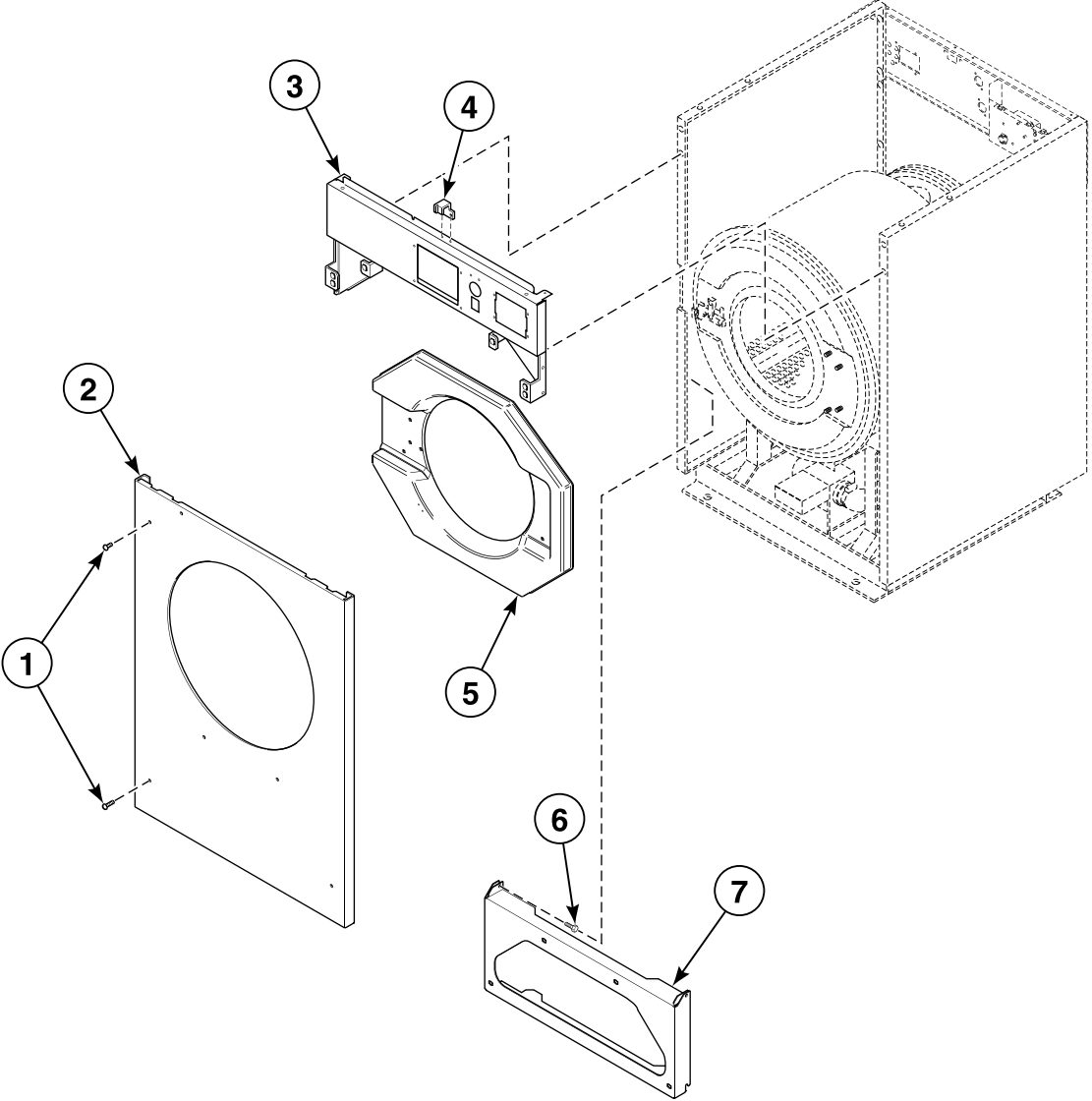


CHM3110P_F8339101

Front Panels and Control Panels - GC, GD, GE, GL and GX Models

REF	PART NO.	DESCRIPTION	COMMENTS
1	F430956	Screw	
2	F8173301P	Front Panel	
3	801019	Screw	
4	F8041801	Control Panel Assembly	
5	F8201001	Top Cover Latch	
6	F170419-1	Door Bezel	Black; Models SCN080GCF, SCN080GDF, SCN080GEF, SCN080GXF, SCU080GCF, SCU080GDF, SCU080GEF, SCU080GLF and SCU080GXF
	F170419-2	Door Bezel	Pantone 403; Models HCN080GCF, HCN080GDF, HCN080GEF, HCN080GXF, HCU080GCF, HCU080GDF, HCU080GEF, HCU080GLF and HCU080GXF; Models through 1/10/10
	F170419-3	Door Bezel	Gray; Models HCN080GCF, HCN080GDF, HCN080GEF, HCN080GXF, HCU080GCF, HCU080GDF, HCU080GEF, HCU080GLF and HCU080GXF; Models starting 1/11/10
7	F430174	Screw	
8	F8174201	Lower Cabinet Brace	

Front Panels and Control Panels - GN and GY Models

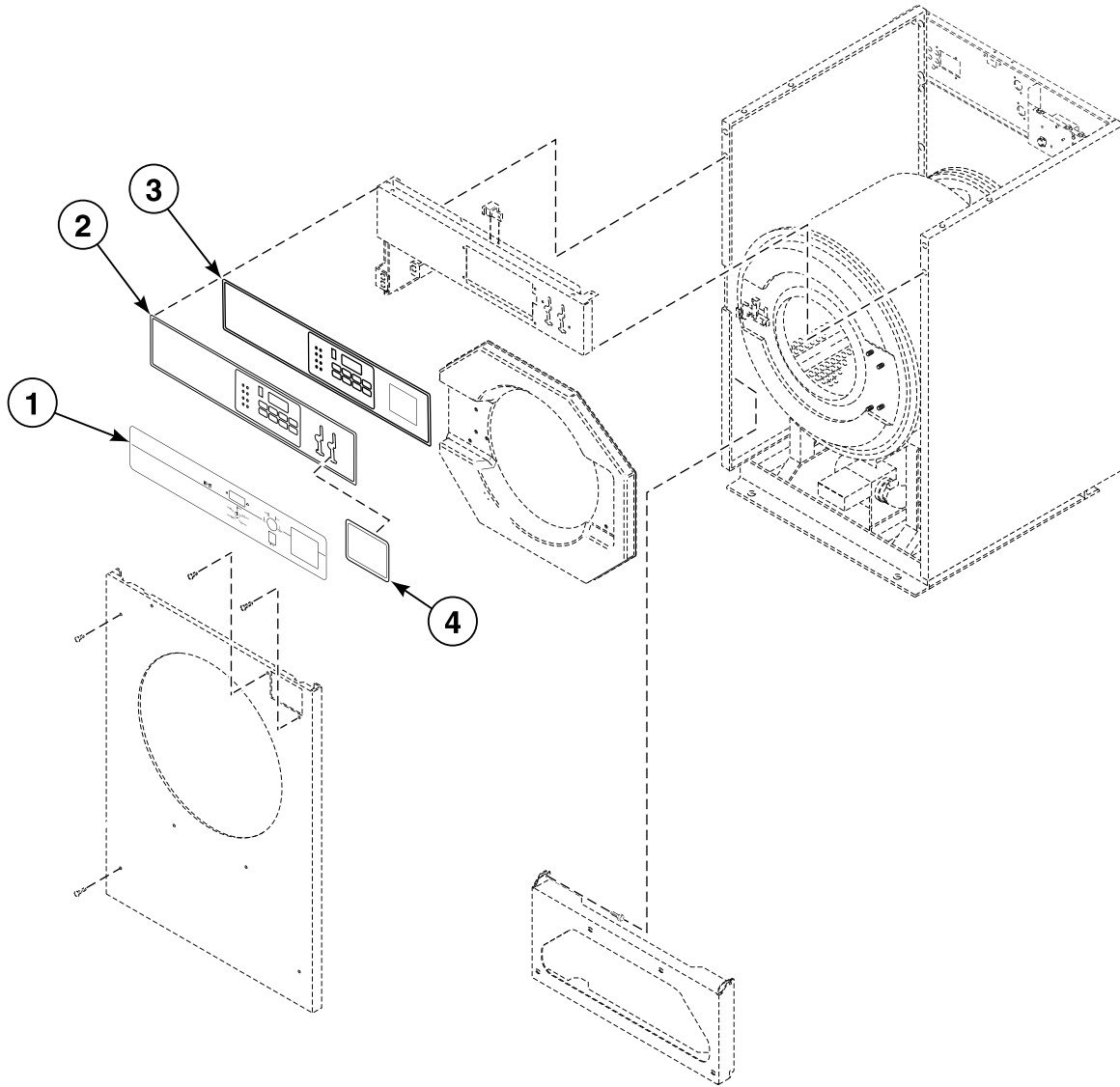


CHM3111P_F8339101

Front Panels and Control Panels - GN and GY Models

REF	PART NO.	DESCRIPTION	COMMENTS
1	F430956	Screw	
2	F8173302	Front Panel	
3	F8041803	Control Panel Assembly	
4	F8201001	Top Cover Latch	
5	F170419-1	Door Bezel	Black; Models SCL080GNF, SCN080GNF, SCN080GYF, SCU080GNF, SCU080GYF and VCU080GNF
	F170419-2	Door Bezel	Pantone 403; Models HCN080GNF, HCN080GYF, HCU080GNF and HCU080GYF; Models through 1/10/10
	F170419-3	Door Bezel	Gray; Models HCN080GNF, HCN080GYF, HCU080GNF and HCU080GYF; Models starting 1/11/10
6	F430174	Screw	
7	F8174201	Lower Cabinet Brace	

Control Panel Overlays - Coin Models

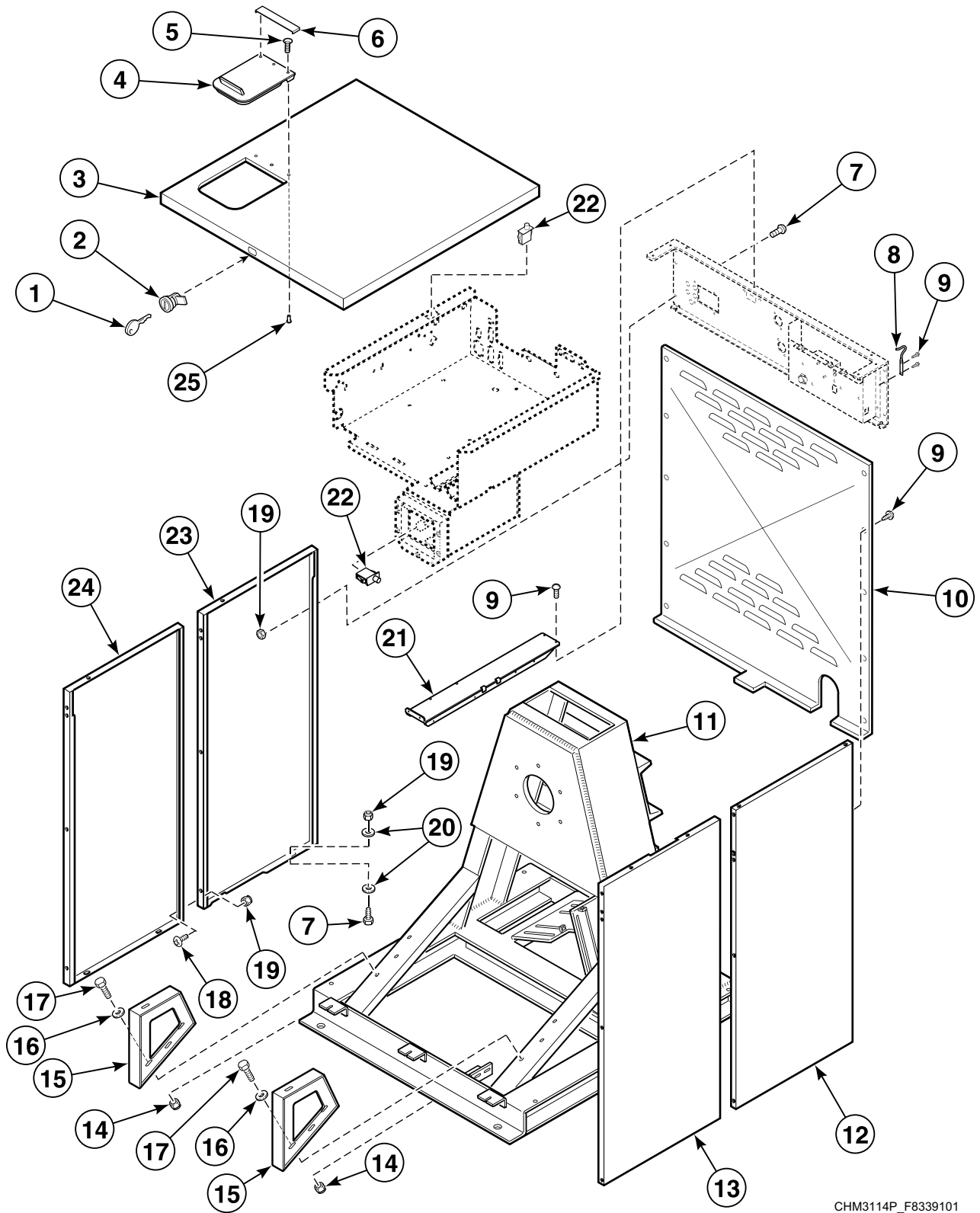


CHM3175P_F8339101

Control Panel Overlays - Coin Models

REF	PART NO.	DESCRIPTION	COMMENTS
1	F8293401	Control Panel Overlay	Models SCN080GCF, SCN080GEF, SCN080GXF, SCN080GYF, SCU080GCF, SCU080GEF, SCU080GLF, SCU080GXF and SCU080GYF; Single coin drop
	F8293402	Control Panel Overlay	Models SCN080GDF and SCU080GDF; Dual coin drop
	F8219101	Control Panel Overlay	Models HCN080GCF, HCN080GEF, HCN080GXF, HCN080GYF, HCU080GCF, HCU080GEF, HCU080GLF, HCU080GXF and HCU080GYF; Single coin drop
	F8219102	Control Panel Overlay	Models HCN080GDF and HCU080GDF; Dual coin drop
2	F8225701	Control Panel Overlay	Models SCU080JCF, SCU080JCV, SCU080JEF, SCU080JEV, SCU080JLF, SCU080JLV, SCU080JXF and SCU080JXV; Single coin drop
	F8225702	Control Panel Overlay	Models SCU080JDF and SCU080JDV; Dual coin drop
	F8226201	Control Panel Overlay	Models HCU080KCF and HCU080KCV; Single coin drop
	F8226202	Control Panel Overlay	Models HCU080KCF and HCU080KCV; Dual coin drop
	F8227302	Control Panel Overlay	Model HCD080LDV; Dual coin drop
	F8294401	Control Panel Overlay	Model HCN080HCF; Single coin drop
	F8294402	Control Panel Overlay	Model HCN080HDF; Dual coin drop
	F8295401	Control Panel Overlay	Models SCN080JCF and SCN080JCV; Single coin drop
	F8295402	Control Panel Overlay	Model SCN080JDF; Dual coin drop
	F8295901	Control Panel Overlay	Models HCN080KCF, HCN080KCV and HCN080KEV; Single coin drop
	F8295902	Control Panel Overlay	Models HCN080KDF and HCN080KDV; Dual coin drop
	F8297001	Control Panel Overlay	Models SCN080LCV and SCN080WCV; Single coin drop
	F8297002	Control Panel Overlay	Models SCN080LDV and SCN080WDV; Dual coin drop
3	F8225703	Control Panel Overlay	Models SCU080JYF and SCU080JYV
	F8226203	Control Panel Overlay	Models HCU080KYF and HCU080KYV
	F8294403	Control Panel Overlay	Model HCN080HYF
	F8295403	Control Panel Overlay	Models SCN080JYF and SCN080JYV
	F8295903	Control Panel Overlay	Models HCN080KYF and HCN080KYV
	F8297003	Overlay	Model SCN080WYV
4	70275402	Cover Overlay	Model HCU080GLF
	39564	Coin Drop Overlay	Models SCU080GLF, SCU080JLF and SCU080JLV

Cover Panels and Frame

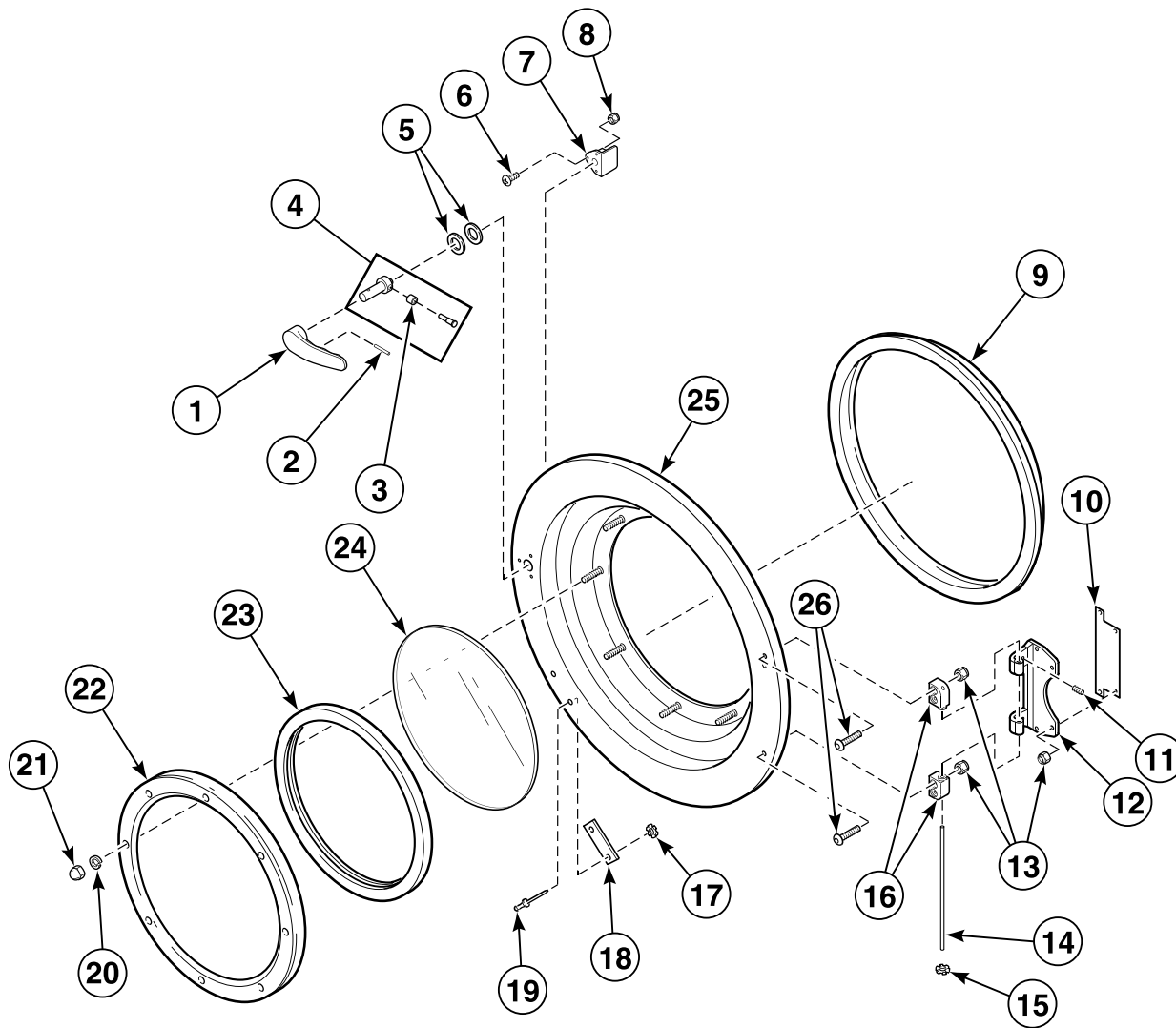


CHM3114P_F8339101

Cover Panels and Frame

REF	PART NO.	DESCRIPTION	COMMENTS
1	70155603	Key	
2	44089303P	Panel Lock	
3	F8040501	Top Cover	
4	F8048101	Dispenser Lid	Gray
5	F8230601	Screw	
6	F8091701	Lid Clamp	
7	F430108	Screw	
8	F8258601	Top Cover Hinge	
9	F8206901	Screw	
10	F8177601	Rear Panel	
11	F8208101	Frame Weldment	
12	F8047103	Right Side Panel	Rear
13	F8047203	Right Side Panel	Front
14	20274	Nut	
15	F603947	Support	
16	M400081	Washer	
17	800461	Screw	
18	F430925	Screw	
19	F430215	Nut	
20	F430317	Washer	
21	F0636549-00	Cabinet Top Brace	
22	70107001	Pushbutton Switch	Pushbutton switch located inside coin vault available on coin models only
23	F8047104P	Left Side Panel	Rear
24	F8047204P	Left Side Panel	Front
25	F8230501	Bolt	

Door

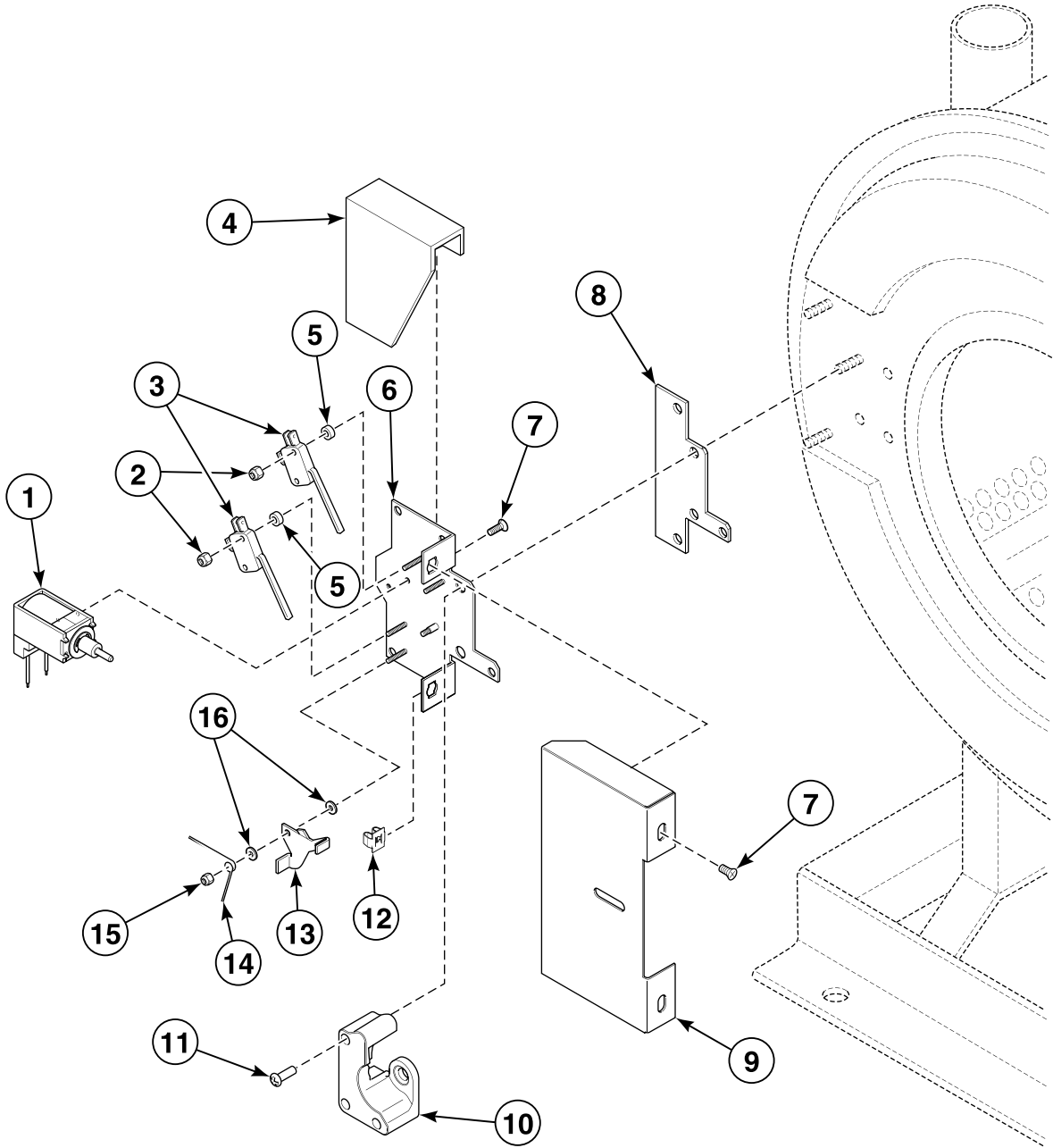


CHM3059P_F8339101

Door

REF	PART NO.	DESCRIPTION	COMMENTS
	F8187502	Door Assembly	HC models; Includes items 1-6
	F8187501	Door Assembly	SC, UC and VC models; Includes items 1-6
1	F8199501	Door Handle	HCL, HCN and HCU models
	F8199401P	Door Handle	All other models
2	F431222	Spring Pin	
3	F8221701	Bearing Sleeve	
4	F8221401	Door Latch Arm Assembly	
5	F431916	Washer	
6	F430976	Screw	
7	F8223701	Door Handle Spacer	
8	F430232	Nut	
9	F170164	Door Gasket	
10	F200131000P	Door Hinge Shim Kit	
11	F430536	Screw	
12	F190216P	Door Hinge	
13	F430215	Nut	
14	F602813-3	Rod	
15	F431929	Washer	
16	F150271	Door Mount	
17	F431133	Washer	
18	F340703	Magnet	
19	F431223	Pop Rivet	
20	F431100	Washer	
21	F431026	Nut	
22	F320102	Door Retainer Spinning	
23	F170115	Door Glass Gasket	
24	F290210P	Glass	SC, UC and VC models; HC models through 1/10/10
	F8342001	Door Glass	HC models; Models starting 1/11/10
25	F608782-2	Door Weldment	
26	F430974	Bolt	

Door Lock



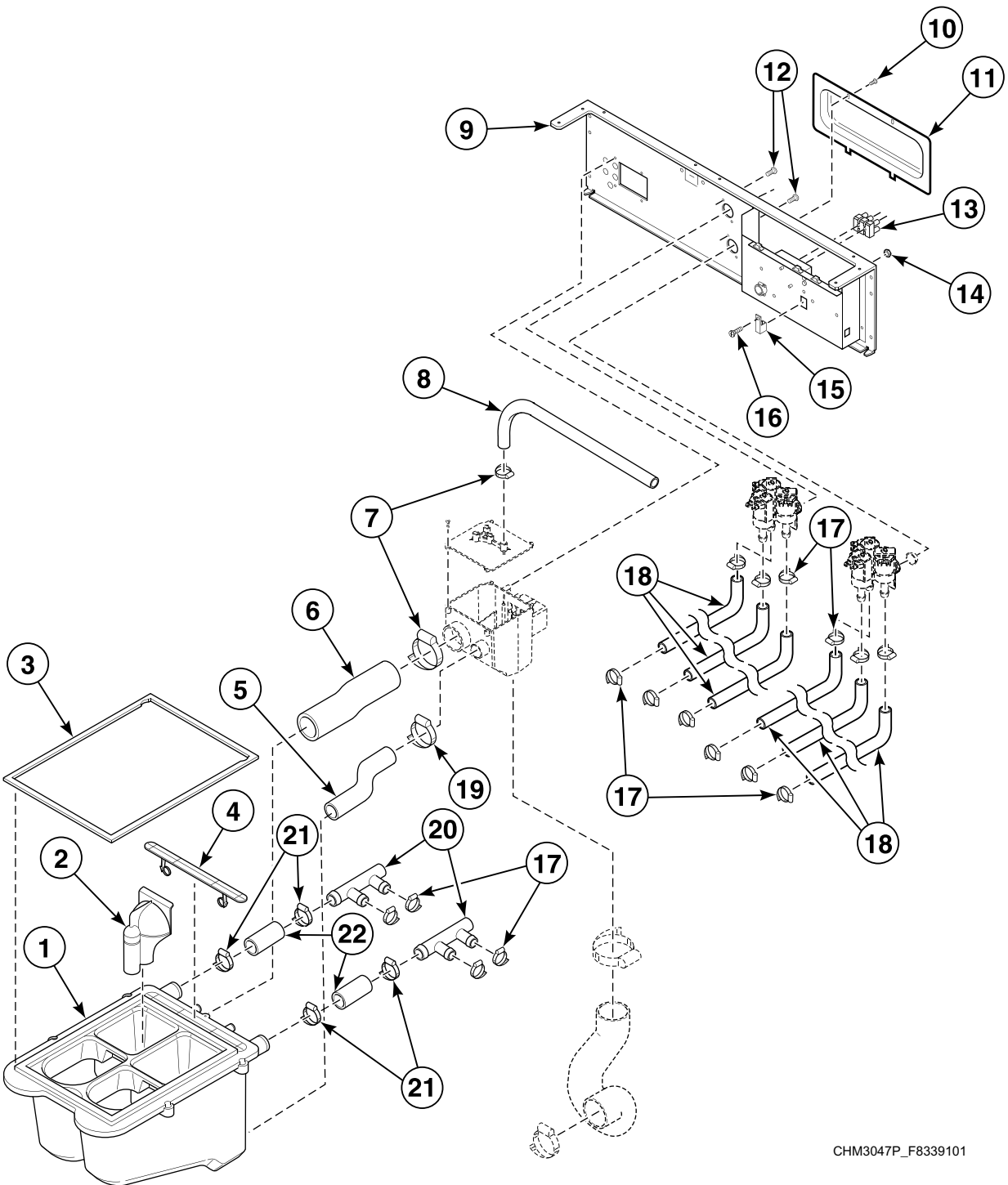
CHM3115P_F8339101

Door Lock

REF	PART NO.	DESCRIPTION	COMMENTS
	F8197101	Door Lock Assembly	Includes F8339902 External Door Lock Harness; Models through 10/31/10
	F8340501	Door Lock Assembly	Includes F8340001 External Door Lock Harness; Models starting 11/1/10
	F977P3	Door Lock Solenoid Replacement Kit	Includes F8340101 Solenoid
1	N/A	External Door Lock Harness	Includes F8224201 Solenoid; Models through 10/31/10; Order F977P3 Door Lock Solenoid Replacement Kit
	F8340001	External Door Lock Harness	Includes F8340101 Solenoid; Models starting 11/1/10
2	F430225	Nut	Nylon
3	F200203200	Door Lock Microswitch	
4	F320200	Door Lock Splash Shield	
5	F431901	Spacer	Nylon
6	F8223201	Door Lock Plate Assembly	Models through 10/31/10
	F8223202	Door Lock Plate Assembly	Models starting 11/1/10
7	F430956	Screw	
8	F8059701	Door Lock Plate Shim	Models through 9/25/09
	F8344401	Door Lock Plate Shim	Models starting 9/26/09
9	F8245001	Door Lock Cover	
10	F8223601	Door Lock Catch	Models through 10/31/10
	F8344501	Door Lock Catch	Models starting 11/1/10
11	F8221601	Bolt	Models through 10/31/10
	F8270701	Bolt	Models starting 11/1/10
12	70030501	Expansion Clip	
13	F8223401	Door Lock Switch Lever	
14	F8070301	Torsion/Door Lock Spring	
15	F430232	Nut	Nylon
16	F431902	Washer	

N/A = Part no longer available

Fill Plumbing and External Supply (Drawing 1 of 2)

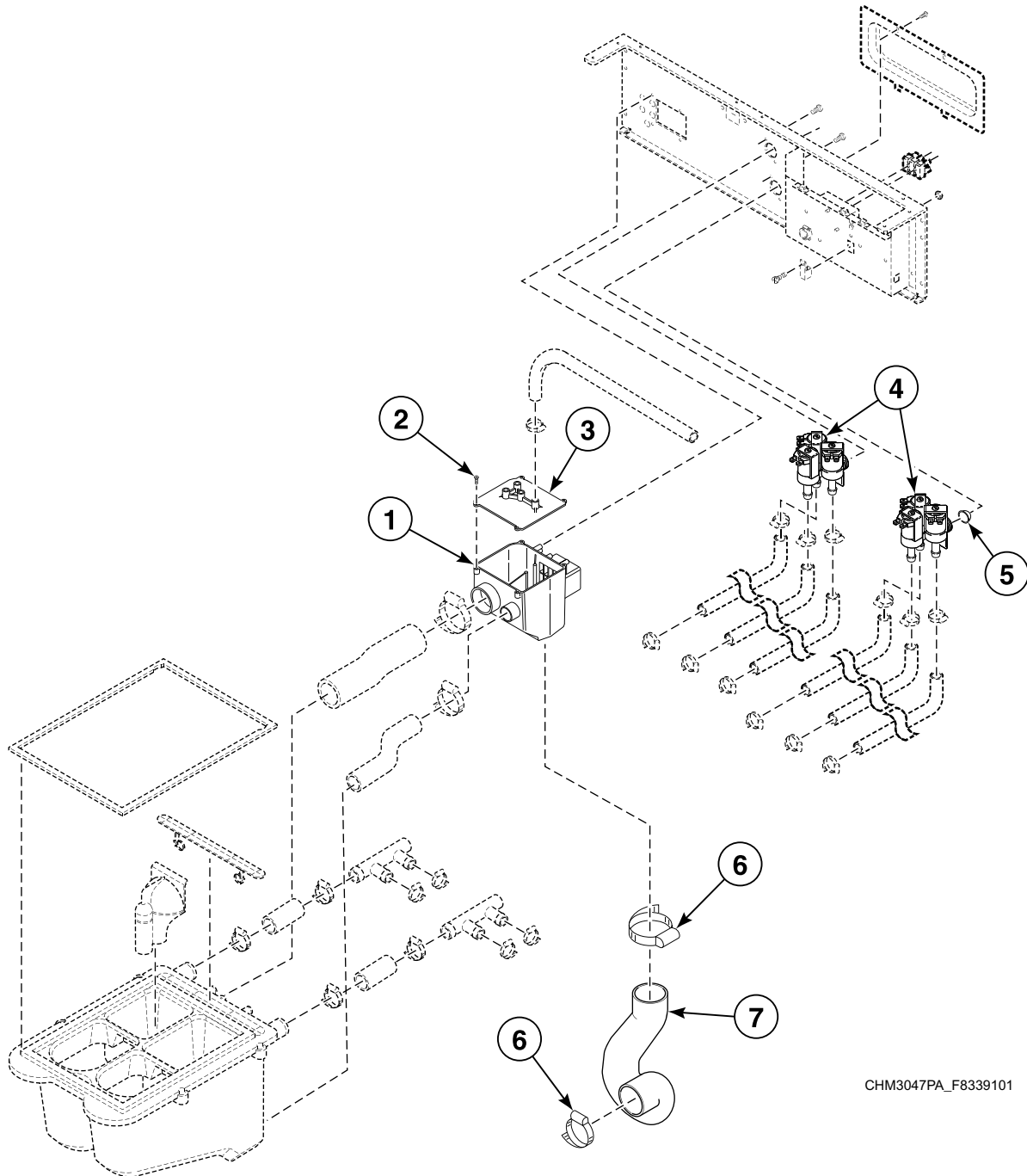


CHM3047P_F8339101

Fill Plumbing and External Supply (Drawing 1 of 2)

REF	PART NO.	DESCRIPTION	COMMENTS
1	F8047401	Dispenser Assembly	
2	F8047901	Siphon Cover	
3	F8308301	Dispenser Gasket	
4	F8047801	Access Cover	3 Amp
5	F8043406	Dispenser Overflow Hose	
6	F8042806	Vacuum Supply Hose	
7	F200213	Hose Clamp	No. 40
8	F0200244-00	Vacuum Breaker Hose	
9	F8039701	Valve Panel	
10	F8206901	Screw	
11	F8177001	Terminal Tray Cover	
12	F8230301	Screw	
13	430642	Terminal Block	Includes screws
14	F430232	Nut	
15	M411283	Ground Lug Connector	
16	F430909	Screw	
17	36801	Hose Clamp	No. 6
18	F8232003	Water Hose	
19	20211	Hose Clamp	
20	F8333201	Manifold	
21	F200222	Hose Clamp	No. 12
22	F8137504	Hose	

Fill Plumbing and External Supply (Drawing 2 of 2)

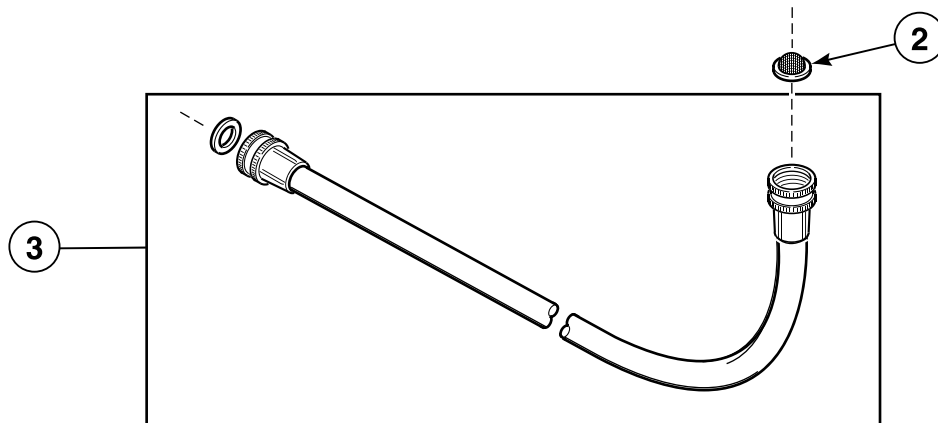
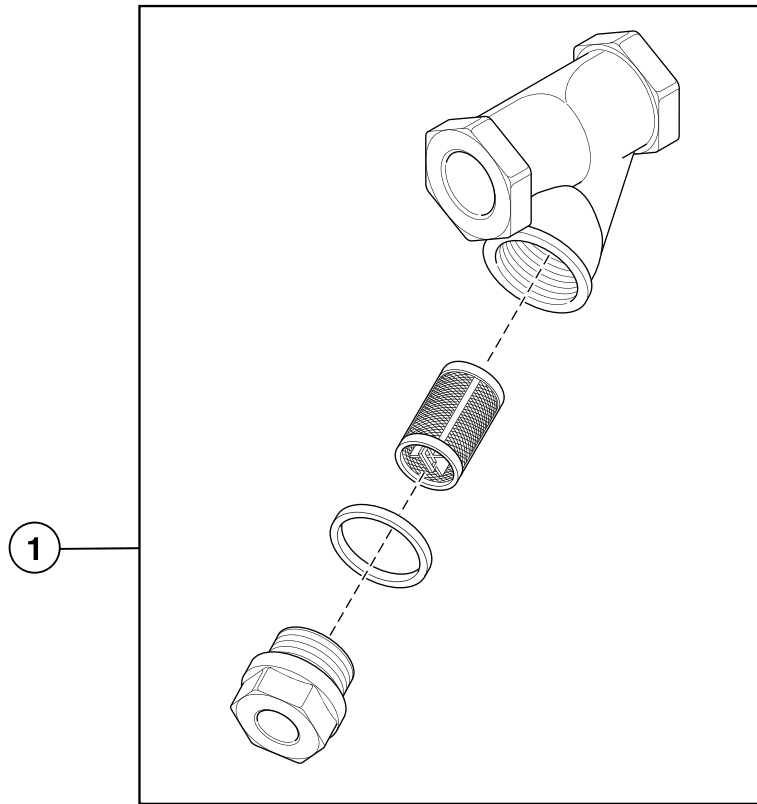


CHM3047PA_F8339101

Fill Plumbing and External Supply (Drawing 2 of 2)

REF	PART NO.	DESCRIPTION	COMMENTS
1	F8048601	Vacuum Breaker Assembly	Includes items 2 and 3
2	800548	Screw	
3	F8048501	Vacuum Breaker Cover	
4	F8286401P	3-Way Valve	240 Volt; 50 or 60 Hertz; U.S.
	F8286402P	3-Way Valve	240 Volt; 50 or 60 Hertz; Metric
5	28605	Washer	
6	F200213	Hose Clamp	No. 40
7	F8042701	P-Trap Hose	

Filter (Optional) and Water Supply Hose

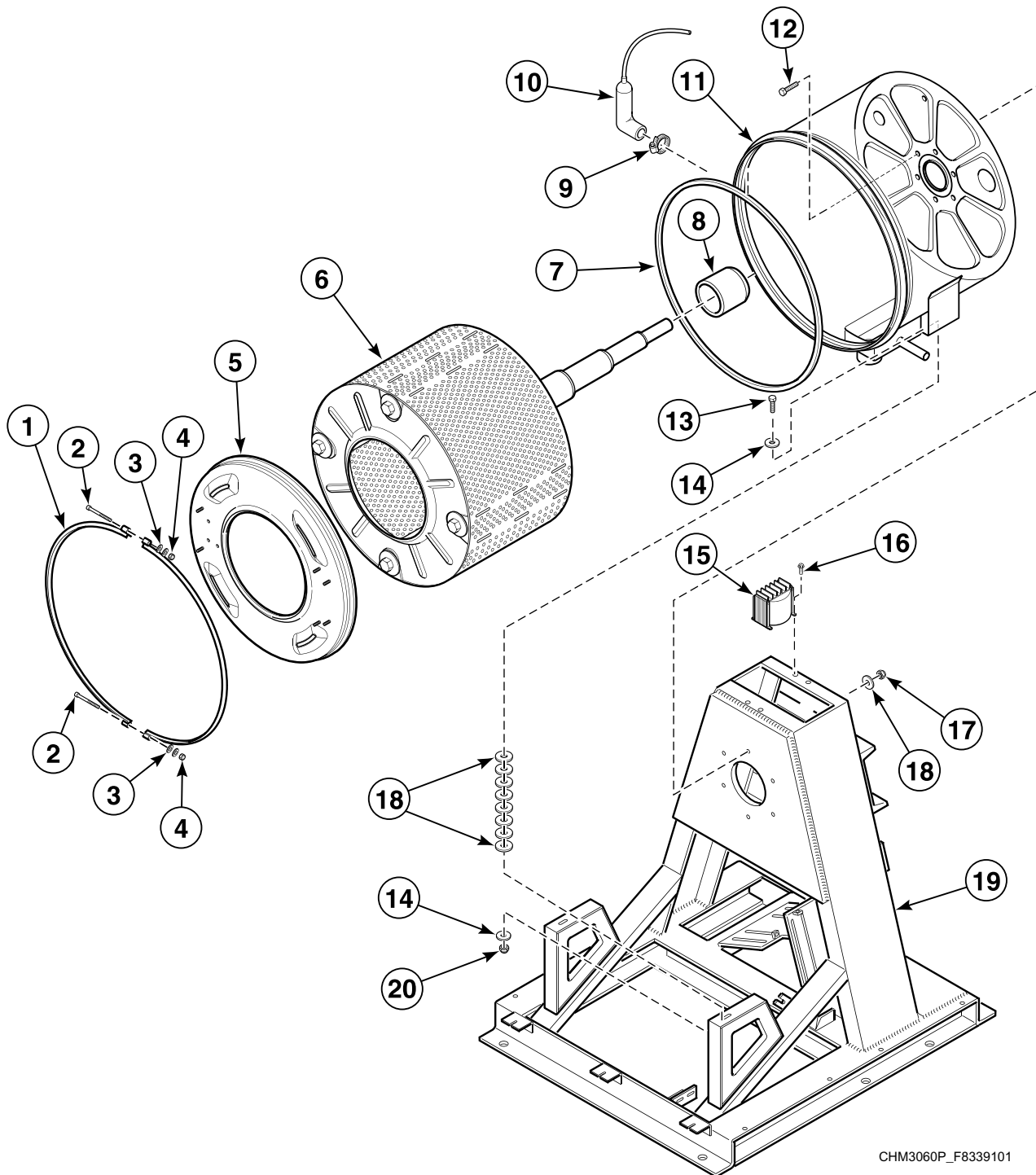


CHM3049P_F8339101

Filter (Optional) and Water Supply Hose

REF	PART NO.	DESCRIPTION	COMMENTS
1	F270307	Steam Filter	1/2 inch
	F270308	Steam Filter	3/4 inch
2	28605	Washer	
3	F200108P	Water Hose	1/2 inch; Standard or metric thread
	F200165	Water Hose	Metric thread
	223/00049/10P	Fill Hose	Metric thread; CE

Basket and Shell

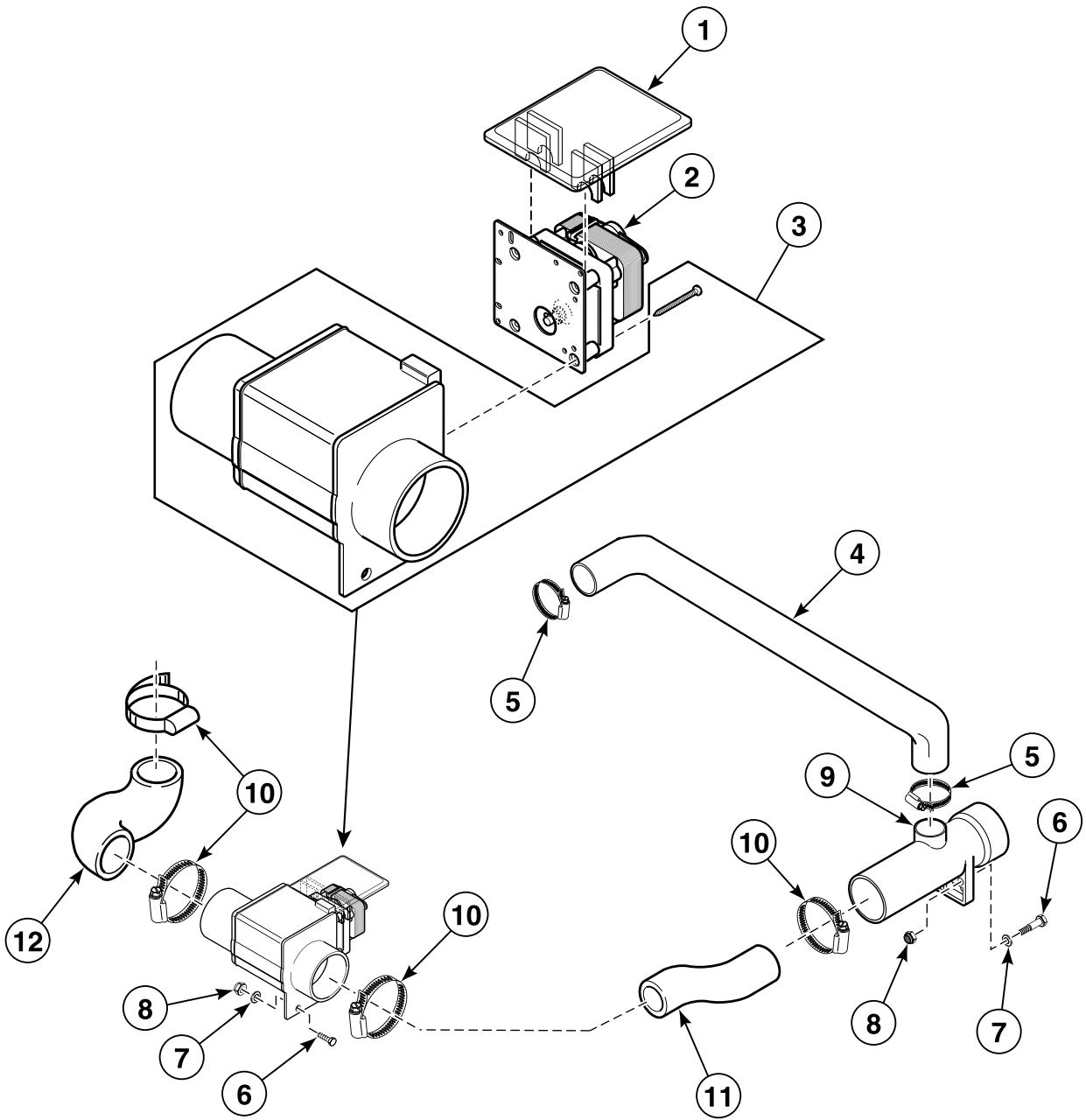


CHM3060P_F8339101

Basket and Shell

REF	PART NO.	DESCRIPTION	COMMENTS
1	F0798852-00	Shell Band Kit	
2	F430500	Screw	
3	F430317	Washer	
4	F430215	Nut	
5	F8229801	Shell Front Assembly	
6	F603949	Basket Assembly	Includes item 6
7	F200001600P	Shell Band Gasket	
8	F8312007P	Shaft Seal Sleeve	
9	F200222	Hose Clamp	No. 12
10	F200142	Air Trap Hose	
11	F8179601	Shell Weldment	Standard models
	F8179602	Shell Weldment	Heat models
12	F430947	Screw	
13	800461	Screw	
14	M400081	Washer	
15	201616	Transformer	
16	F430107	Screw	
17	F430201	Nut	
18	901690	Washer	
19	F8208101	Frame Weldment	
20	F430218	Nut	

Drain

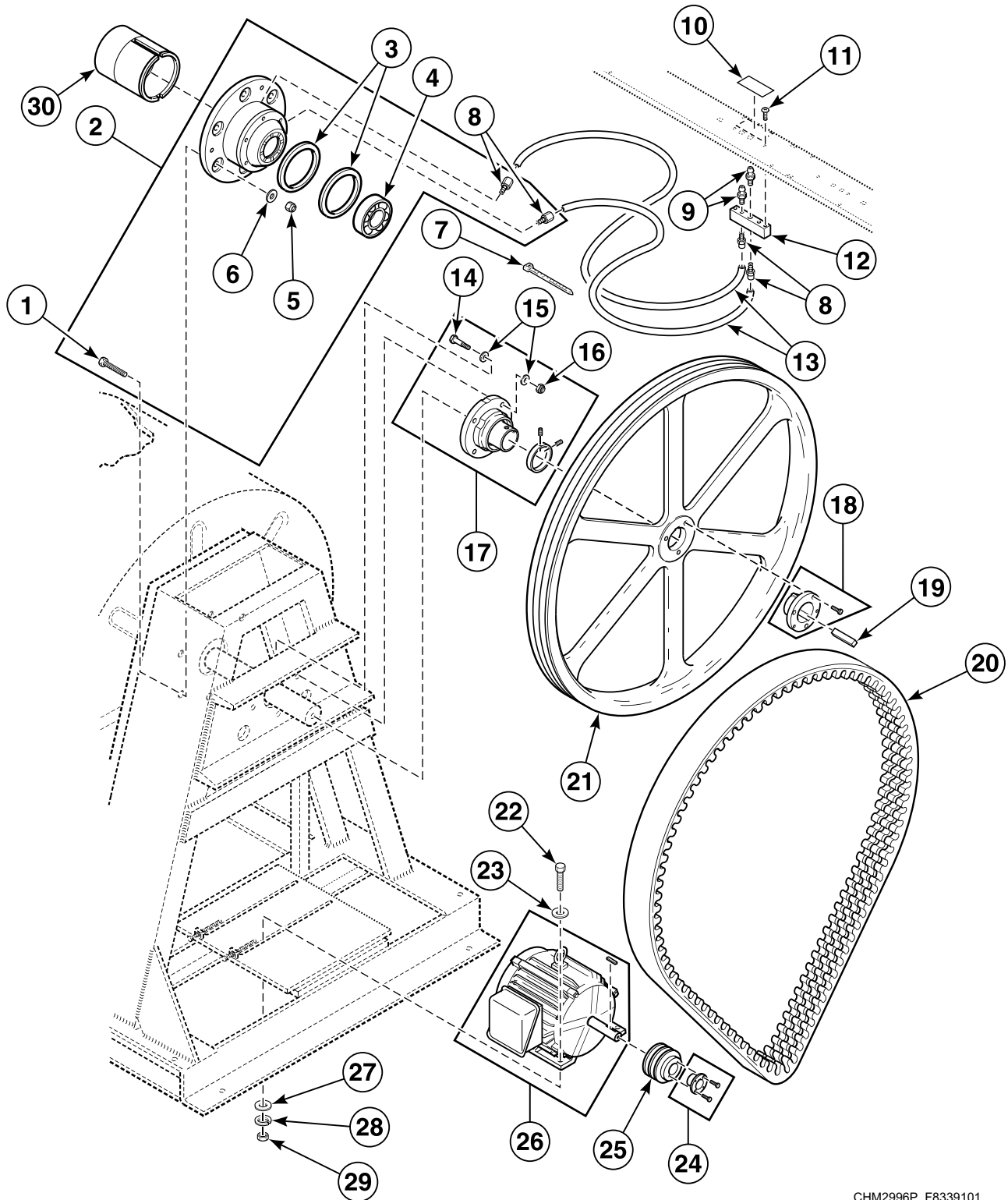


CHM3061P_F8339101

Drain

REF	PART NO.	DESCRIPTION	COMMENTS
1	F200133600	Drain Valve Cover	
2	G159764P	Drain Valve Motor and Gear Box Assembly	220 Volt; Keyed shaft
3	F200166402	Drain Valve Kit	230 Volt; Includes F200182700 Bolt
4	F150401	Overflow Hose	
5	F200213	Hose Clamp	No. 40
6	F430913	Screw	
7	F431147	Washer	
8	F430215	Nut	
9	F150398	Drain Tee	
10	F200201	Hose Clamp	No. 56
11	F8231903	Drain Hose	Rear
12	F8232901	Drain Hose	Front

Motor, Pulley, Belts and Bearings

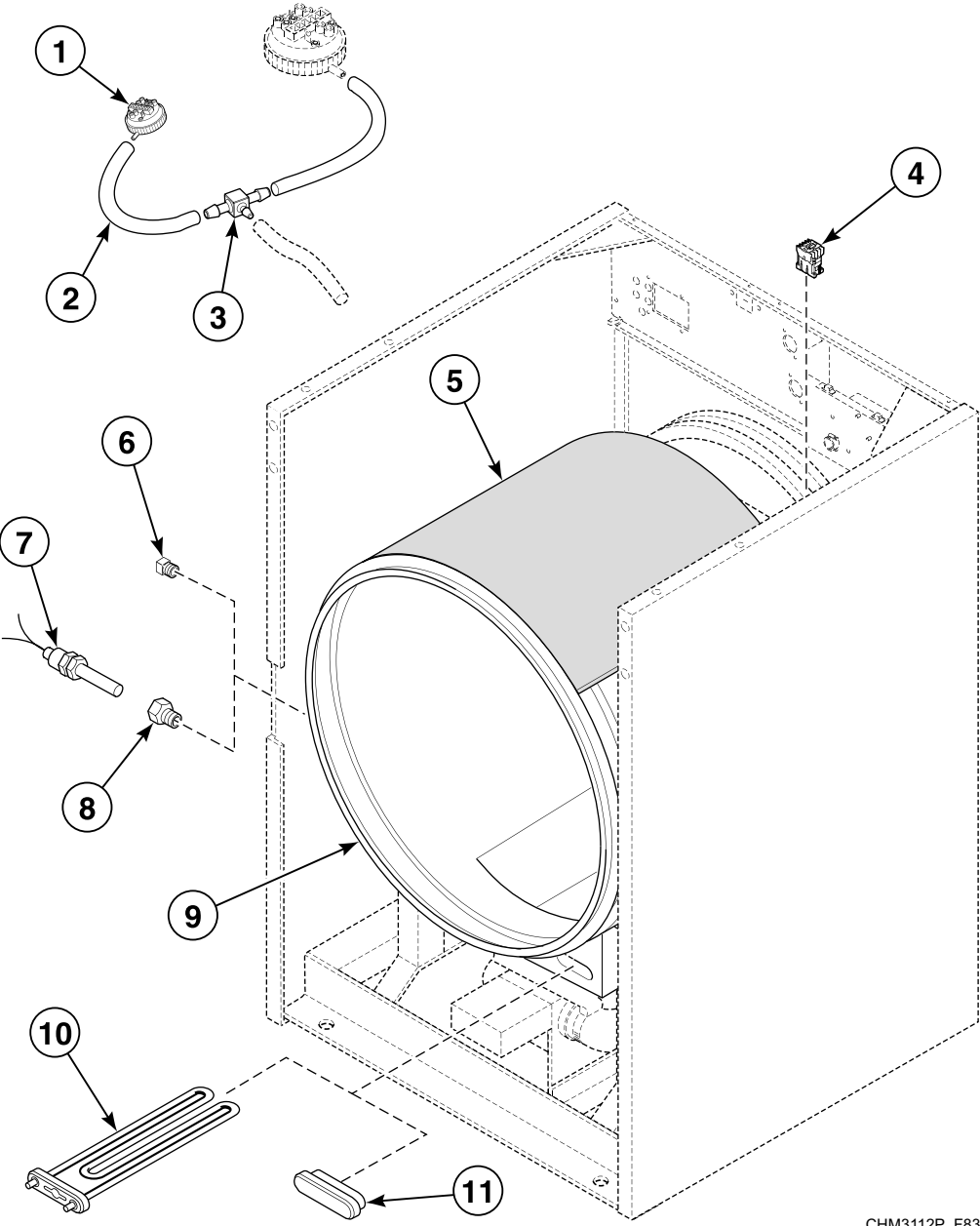


CHM2996P_F8339101

Motor, Pulley, Belts and Bearings

REF	PART NO.	DESCRIPTION	COMMENTS
1	F430942	Screw	
2	F745015-1	Front Bearing Kit	Includes items 1, 3-6 and 8
3	F8203804	Triple Lip Seal	
4	F100155	Bearing	
5	F430201	Nut	
6	F431134	Washer	
7	F140606	Cable Tie	
8	J1408004	Connector	
9	F190701	Grease Fitting	
10	F8229901	Grease Instruction Label	
11	F430925	Screw	
12	F320326	Grease Manifold	
13	C000628P	Tubing	
14	F430185	Screw	
15	F430339	Washer	
16	F430239	Nut	
17	F745016-1	Rear Bearing Kit	
18	F280290	Basket Pulley Bushing	Includes screws
19	F608824-1	Key	
20	F200140300P	Belt	
21	F150268	Basket Pulley	
22	800461	Screw	
23	M400081	Washer	
24	F280211P	Motor Pulley Bushing	Includes screws
25	F280289P	Drive Motor Pulley	3GRV-3V-3.15
26	F8356401	Motor Kit	Use with machines manufactured through 9/13/09 with F8054101P Reliance Electric or Allen-Bradley Motor; Includes key; AC drive parameters must be compatible with the motor being used. When replacing the motor, please request an AC drive parameter illustration for the motor to verify that the drive parameters are set correctly.
	F8334601P	Motor	Models that have been retrofitted with F8356401 Motor Kit or models starting 9/14/09
27	F430300	Washer	
28	M400014	Washer	
29	F430205	Nut	
30	F100307	Bearing Adapter Sleeve	

Electric Heat Option

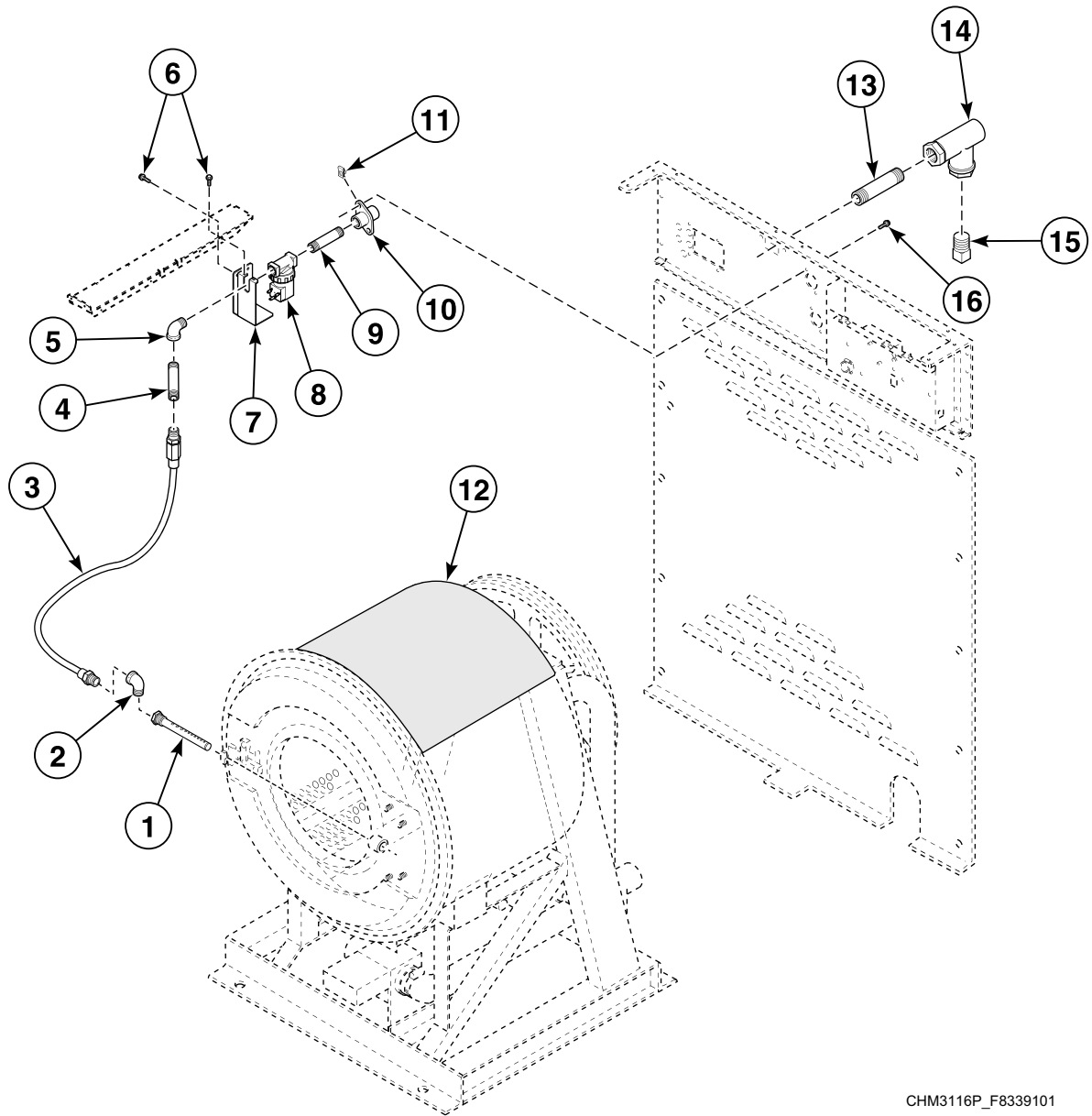


CHM3112P_F8339101

Electric Heat Option

REF	PART NO.	DESCRIPTION	COMMENTS
1	F8223001P	Water Pressure Switch	Heat safety
2	F8153901	Tubing	
3	F8246601	Tee	
4	F330188P	Contactora	
5	F410300	Pipe Insulation	
6	F421507	Plug	
7	F370609	Thermistor Sensor	
8	F421936	Reducer Bushing	
9	F8179602	Shell Weldment	
10	F360203P	Heating Element	2.6 kW; 12 used
11	F360202	Heating Element Plug	

Steam Heat Option



CHM3116P_F8339101

Steam Heat Option

REF	PART NO.	DESCRIPTION	COMMENTS
	F953P3	Steam Heat Kit	Includes items 1-11, 13, 15-21 and harness
	F380984P	Steam Valve Repair Kit	Use with item 8
1	F603131	Steam Injector Tube Assembly	
2	F421703	Street Elbow	Stainless steel
3	F200197	Steam Hose	
4	70263801	Pipe Nipple	
5	H86070034	Street Elbow	
6	430497	Screw	
7	F8212001	Steam Bracket	
8	F380787P	Steam Valve	220 Volt
9	70263801	Pipe Nipple	
10	F8154501	Coupling	
11	70030401	Nut	
12	F410300	Pipe Insulation	
13	431486	Pipe Nipple	
14	F270307	Steam Filter	
15	F420409	Plug	
16	20253	Screw	

Parts Index

A

Access Cover	
F8047801	45
Air Trap Hose	
F020014200	11, 13
F200142	51
Auxiliary Control Assembly	
F8189401	11, 13

B

Basket Assembly	
F603949	51
Basket Pulley	
F150268	55
Basket Pulley Bushing	
F280290	55
Bearing	
F100155	55
Bearing Adapter Sleeve	
F100307	55
Bearing Sleeve	
F8221701	41
Belt	
F200140300P	55
Bolt	
F430974	41
F8221601	43
F8230501	39
F8270701	43

C

Cabinet Top Brace	
F0636549-00	39
Cable Tie	
F140606	55
Card Reader and Bracket Assembly	
510068P	25
Card Reader Assembly	
F8201501	25
Card Reader Harness	
F141887	25
F141889	25
Card Reader Overlay	
70334201	25
70438201	25
Coin Chute	
F8170801	11
Coin Drawer Assembly	
F8182001	27
Coin Drop	
70256402P	21
70441601P	19
Coin Drop Assembly	
210195	21
210196	21

38462P	19
38463	19
38464P	19
38472	21
38521	21
39157	21
70281102	21
Coin Drop Overlay	
39564	37
Coin Identification Paper	
38725	19, 21, 23
Coin Meter	
F0160737-00	21
Coin Meter Assembly	
F200010000P	19
F200010001	21
F200010002	21
F200010003	21
F200010004	21
F200010005	21
F200010006	19
F200010007	19
F200010008	21
F200010009	19
F200010010	21
F200010011	19
F200010012	19
F200021600	23
F200021601	23
F200021602	23
F200021603	23
F200021604	23
F200021605	23
Coin Vault Assembly	
F8182601	11
Communication Board	
210095P	15
Communication Connector	
210099	15
Communication Harness	
70338301P	15
Connector	
J1408004	55
Contactactor	
F330188P	57
Control Assembly	
F8099101P	11, 13
Control Assembly Kit	
F980P3	11, 13
Control Panel Assembly	
F8041801	33
F8041802	29
F8041803	35
F8041804	31
Control Panel Overlay	
F8219101	37
F8219102	37
F8224701	17
F8225201	17
F8225701	37
F8225702	37
F8225703	37
F8226201	37

N/A items do not appear in index.

F8226202	37
F8226203	37
F8226701	17
F8227302	37
F8227401	17
F8236701	17
F8236801	17
F8293401	37
F8293402	37
F8293901	17
F8294401	37
F8294402	37
F8294403	37
F8294901	17
F8295401	37
F8295402	37
F8295403	37
F8295901	37
F8295902	37
F8295903	37
F8296401	17
F8297001	37
F8297002	37
Control Tray Assembly	
F8205903	11, 13
Coupling	
F8154501	59
Cover Overlay	
70275402	37

D

Dispenser Assembly	
F8047401	45
Dispenser Gasket	
F8308301	45
Dispenser Lid	
F8048101	39
Dispenser Overflow Hose	
F8043406	45
Door Assembly	
F8187501	41
F8187502	41
Door Bezel	
F170419-1	29, 31, 33, 35
F170419-2	29, 31, 33, 35
F170419-3	29, 31, 33, 35
Door Gasket	
F170164	41
Door Glass	
F8342001	41
Door Glass Gasket	
F170115	41
Door Handle	
F8199401P	41
F8199501	41
Door Handle Spacer	
F8223701	41
Door Hinge	
F190216P	41
Door Hinge Shim Kit	
F200131000P	41
Door Latch Arm Assembly	
F8221401	41

Door Lock Assembly	
F8197101	43
F8340501	43
Door Lock Catch	
F8223601	43
F8344501	43
Door Lock Cover	
F8245001	43
Door Lock Microswitch	
F200203200	43
Door Lock Plate Assembly	
F8223201	43
F8223202	43
Door Lock Plate Shim	
F8059701	43
F8344401	43
Door Lock Solenoid Replacement Kit	
F977P3	43
Door Lock Splash Shield	
F320200	43
Door Lock Switch Lever	
F8223401	43
Door Mount	
F150271	41
Door Retainer Spinning	
F320102	41
Door Weldment	
F608782-2	41
Drain Hose	
F8231903	53
F8232901	53
Drain Tee	
F150398	53
Drain Valve Cover	
F200133600	53
Drain Valve Kit	
F200166402	53
Drain Valve Motor and Gear Box Assembly	
G159764P	53
Drive Motor Pulley	
F280289P	55

E

Earth Terminal Sticker	
M412096	9
Electric Shock Danger Label	
F8115501	9
Electronic Coin Drop Assembly	
70294101P	23
70294103P	23
70294104	23
70294105P	23
70294106	23
70294107	23
70294111	23
Electronic Coin Drop Kit	
CK110	23
CK501	23
Emergency Stop Plate	
F8201301	17
Emergency Stop Pushbutton	
F200233500	17

N/A items do not appear in index.

EMI Filter	
F8053901P	11, 13
F8053902	11, 13
Expansion Clip	
70030501	11, 13, 43
External Door Lock Harness	
F8340001	43
External Supply Connection Decal	
F8150201	9
External Supply Harness	
F8191201P	11, 13
External Supply Kit	
F937P3	11, 13

F

Fill Hose	
223/00049/10P	49
Frame Weldment	
F8208101	39, 51
Front Bearing Kit	
F745015-1	55
Front Panel	
F8173301P	29, 33
F8173302	31, 35

G

Glass	
F290210P	41
Grease Fitting	
F190701	55
Grease Instruction Label	
F8229901	55
Grease Manifold	
F320326	55
Ground Decal	
F230739	9
Ground Lug Connector	
M411283	45

H

Harness	
F631973-2	25
Heating Element	
F360203P	57
Heating Element Plug	
F360202	57
Hose	
F8137504	45
Hose Clamp	
F200201	53
F200213	45, 47, 53
F200222	11, 13, 45, 51
20211	45
36801	45
Hot Surface Warning Plate	
F8211901	9

J

Jumper Configuration Assembly	
M413507	11, 13
Jumper Harness Assembly	
M413506	11, 13

K

Key	
F160420	27
F608824-1	55
70155603	39

L

Left Side Panel	
F8047104P	39
F8047204P	39
Lid Clamp	
F8091701	39
Lower Cabinet Brace	
F8174201	29, 31, 33, 35

M

Magnet	
F340703	41
Manifold	
F8333201	45
Motor	
F8334601P	55
Motor Kit	
F8356401	55
Motor Pulley Bushing	
F280211P	55
Mount on Concrete Warning Label	
F8246401	9
Mounting Plate	
70208801	25

N

Network Board Assembly	
201341	11, 13
Network Controller Kit	
NK220	15
Network Harness	
44141801P	15
Network Retrofit Kit	
NK204	15
Network Wire Harness Assembly	
44088501P	15
Nut	
F430201	51, 55
F430205	55
F430215	39, 41, 51, 53
F430218	51

N/A items do not appear in index.

F430225.....	43
F430232.....	11, 13, 41, 43, 45
F430239.....	55
F431017.....	17
F431026.....	41
20274.....	39
24205.....	17
685846.....	19, 21, 23
70030401.....	59

O

Opto Coupler	
200674P.....	19, 21
Output/Logic Harness	
F8028701.....	11, 13
Overflow Hose	
F150401.....	53
Overlay	
F8205101.....	23
F8205201.....	23
F8219601.....	17
F8297003.....	37

P

Panel Lock	
44089303P.....	39
PC Board Standoff	
210098.....	15
Pipe Insulation	
F410300.....	57, 59
Pipe Nipple	
431486.....	59
70263801.....	59
Plug	
F420409.....	59
F421507.....	57
Pop Rivet	
F431223.....	41
70058501.....	11, 19, 21
PowerFlex 40 Drive	
F8169409.....	11, 13
F8169410.....	11, 13
F8169432.....	11, 13
F8169433.....	11, 13
P-Trap Hose	
F8042701.....	47
Pulse Expander Assembly	
F8034701P.....	23
Pushbutton Switch	
70107001.....	39

R

Rear Bearing Kit	
F745016-1.....	55
Rear Panel	
F8177601.....	39
Reducer Bushing	
F421936.....	57

Right Side Panel	
F8047103.....	39
F8047203.....	39
Rocker Switch	
512562P.....	17
Rod	
F602813-3.....	41

S

Screw	
F430107.....	51
F430108.....	39
F430174.....	25, 29, 31, 33, 35
F430185.....	55
F430500.....	51
F430536.....	41
F430903.....	11, 13
F430909.....	45
F430913.....	53
F430925.....	39, 55
F430942.....	55
F430947.....	51
F430956.....	29, 31, 33, 35, 43
F430976.....	41
F8206901.....	11, 13, 39, 45
F8230301.....	45
F8230601.....	39
20253.....	59
430497.....	11, 13, 59
800461.....	39, 51, 55
800548.....	47
801019.....	29, 33
Shaft Seal Sleeve	
F8312007P.....	51
Shell Band Gasket	
F200001600P.....	51
Shell Band Kit	
F0798852-00.....	51
Shell Front Assembly	
F8229801.....	51
Shell Weldment	
F8179601.....	51
F8179602.....	51, 57
Siphon Cover	
F8047901.....	45
Snap Bushing	
M400770.....	15
44071501.....	11, 13
Spacer	
F431901.....	43
Spring Pin	
F431222.....	41
Steam Bracket	
F8212001.....	59
Steam Filter	
F270307.....	49, 59
F270308.....	49
Steam Heat Kit	
F953P3.....	59
Steam Hose	
F200197.....	59
Steam Injector Tube Assembly	
F603131.....	59

N/A items do not appear in index.

Steam Valve F380787P	59
Steam Valve Repair Kit F380984P	59
Street Elbow F421703	59
H86070034	59
Support F603947	39
Support Bracket F8195803	11, 13

T

Tee F8246601	11, 13, 57
Temperature Knob 44104601	17
Temperature Selector Switch 511711	17
Temperature Selector Switch Bracket 70391701	17
Terminal Block 430642	45
Terminal Tray Cover F8177001	45
Thermistor Sensor F370609	57
Top Cover F8040501	39
Top Cover Hinge F8258601	39
Top Cover Latch F8201001	29, 31, 33, 35
Torsion/Door Lock Spring F8070301	43
Transformer 201616	11, 13, 51
210019P	11, 13
Triple Lip Seal F8203804	55
Tubing C000628P	55
F8153901	11, 13, 57

U

USB IR Device Assembly F8167901	11, 13
Use Copper Conductors Only Caution Label F8242201	9

V

Vacuum Breaker Assembly F8048601	47
Vacuum Breaker Cover F8048501	47
Vacuum Breaker Hose F0200244-00	45

Vacuum Supply Hose F8042806	45
Valve Panel F8039701	45
Valve, 3-Way F8286401P	47
F8286402P	47

W

Warning Label F8207901	9
F8233501	9
44127701	9
Washer F430300	55
F430317	39, 51
F430339	55
F431100	41
F431133	41
F431134	55
F431147	53
F431902	43
F431916	41
F431929	41
M400014	55
M400081	39, 51, 55
28605	47, 49
901690	51
Water Hose F200108P	49
F200165	49
F8232003	45
Water Pressure Switch F8223001P	11, 13, 57

N/A items do not appear in index.

